

INVISIBLE Pendant

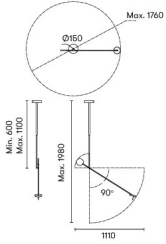
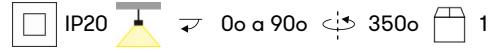
Designer: Francesc Vilaró

00-5694-05-05 V0



Finish
Matt black
Tinted

Material
Aluminium
Steel
Methacrylate



TECHNICAL CHARACTERISTICS

Light source

Light source: LED REFOND
Output (W): 9W
Total power consumption (W): 12.2W
Color temperature: Warm White - 3000K
CRI: 80
Nominal Lumen: 765
Qty Leds: 48
Bin / Grup: 30K
Photobiological risk: RG0

GEAR

Brand: HEP
Gear included: Yes, electronic
Voltage / Frequency:
220-240VAC/50-60Hz
Power Factor: 0.97
Dimming protocol: Mains dimming (LC)

Luminaire

Warranty: 5 Years

Logistics

Energy Efficiency: LED A++
EAN Code: 8435381462772
Net Weight (Kg): 2.550
Weight in Kg (packaged): 5.000
Packing: 1605 x 220 x 220
Masterbox: 1

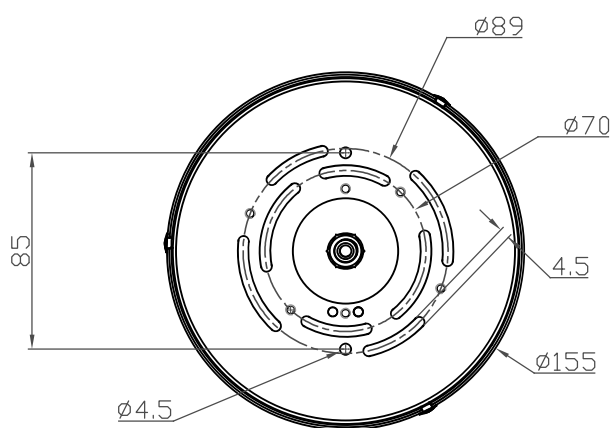
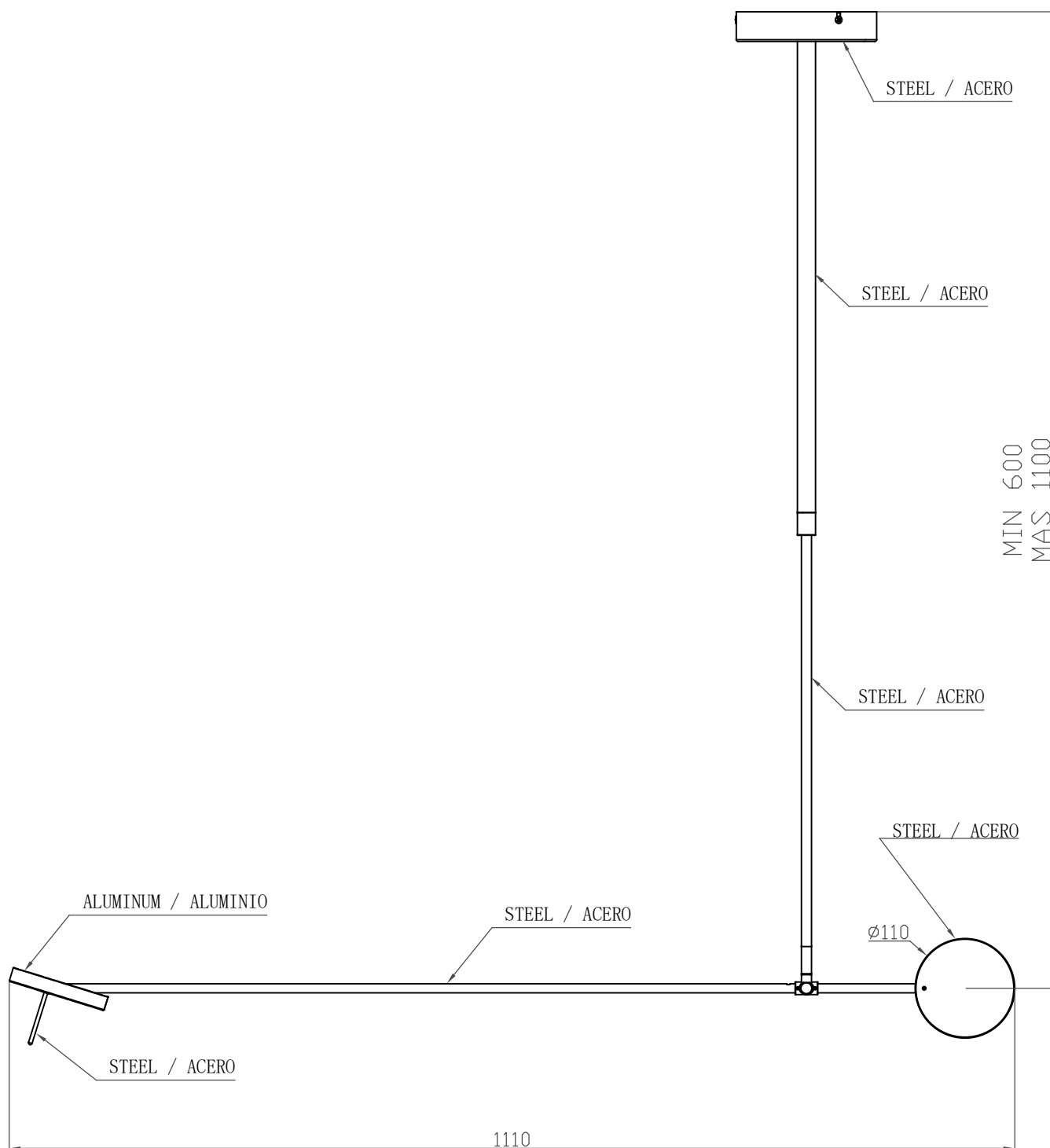
The photograph may not match the reference exactly. Please read the product description to identify the finish.

DRIVER:

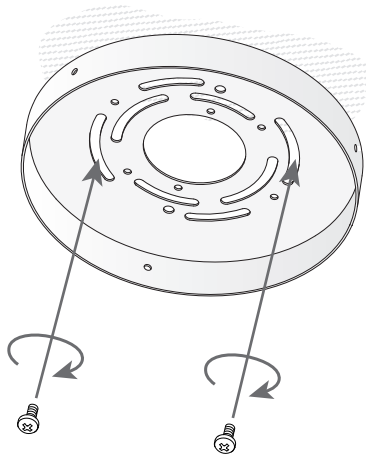
- -RELCO RN-1418 36W

COMPATIBLE WITH:

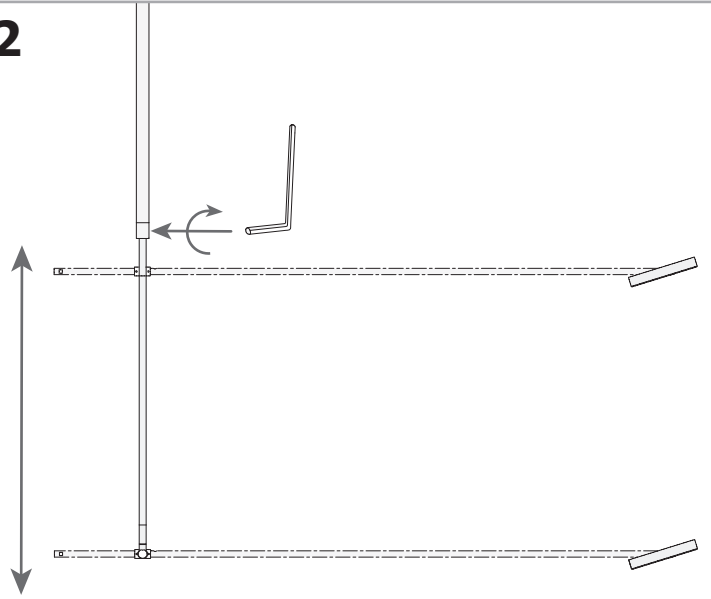
- TRIAC and IGBT dimers fitting with the driver power (36W).



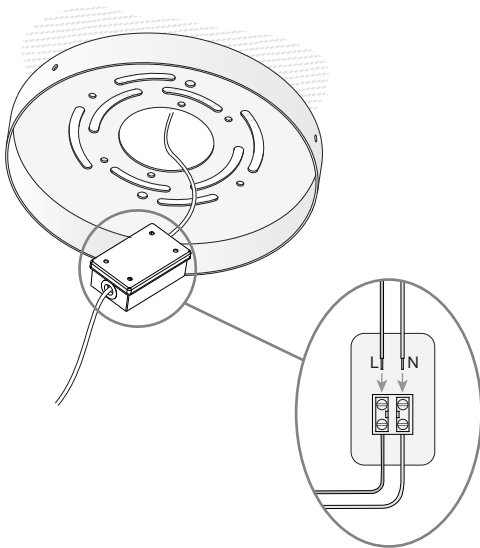
1



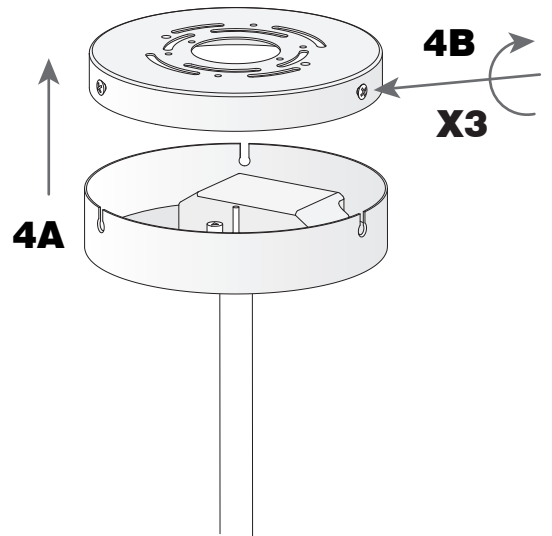
2



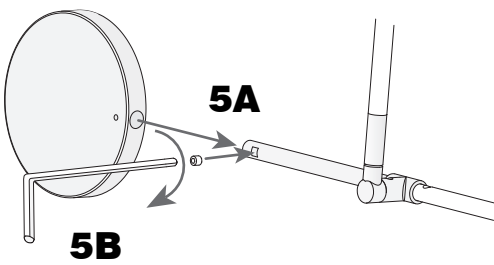
3



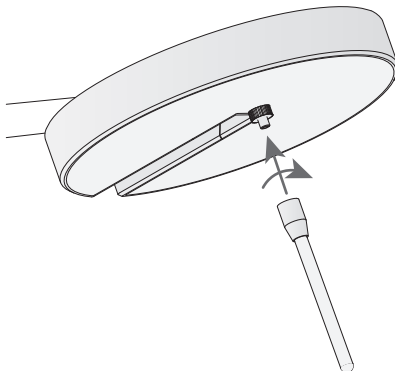
4



5



6



7

