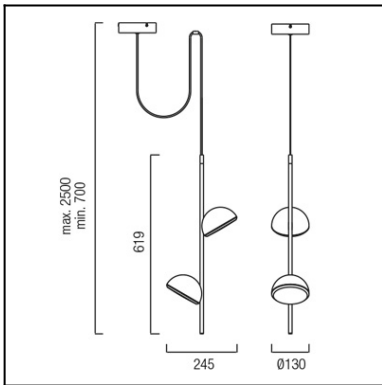


Design by Nathrang Disseny



The photograph may not match the reference exactly. Please read the product description to identify the finish.



TECHNICAL CHARACTERISTICS

Type:	Pendant
Adjustable:	Adjustable 355° on the vertical axis.2
IP Protection degrees:	IP20
Light source 1:	2 x LED Cree 13W Warm White - 2700K 1390 lm ^(N) CRI 80
Total power consumption (W):	14.5W
Voltage / Frequency:	100-240V/50-60Hz
Warranty (Years):	2
Option to extend the guarantee (Years):	5
Units per box:	20
Net Weight (Kg):	1.505
EAN:	8435381450243



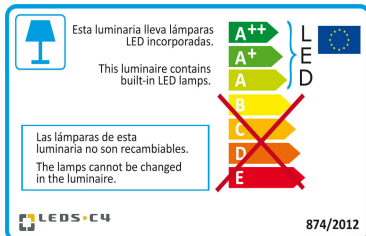
MATERIALS / FINISHES

Structure material:	Aluminium Steel	Diffuser material:	Glass
Structure finish:	Urban grey	Diffuser finish:	Opal

GEAR

Multi-voltage electronic gear included (100-240V / 50-60Hz)

Download photometric file .ldt / .ies



Click on image to download energy label

Lm^(N): Nominal flow of light in actual working conditions. Its actual flow will depend on the environmental conditions and the efficiency of the optics and/or diffuser.

LEDS-C4 reserves the right to make the necessary technical changes they deem adequate, in order to improve the features of the product.

Please consult the sales team to clarify any doubt.

Luminaire

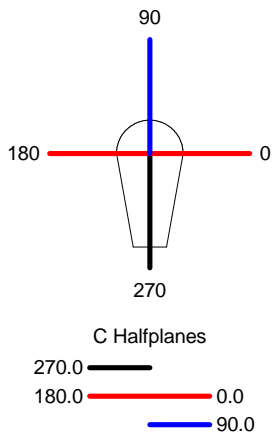
Code 00-5457-BW-F9
 Name Colgante TALK 2 leds 13W

Measur.

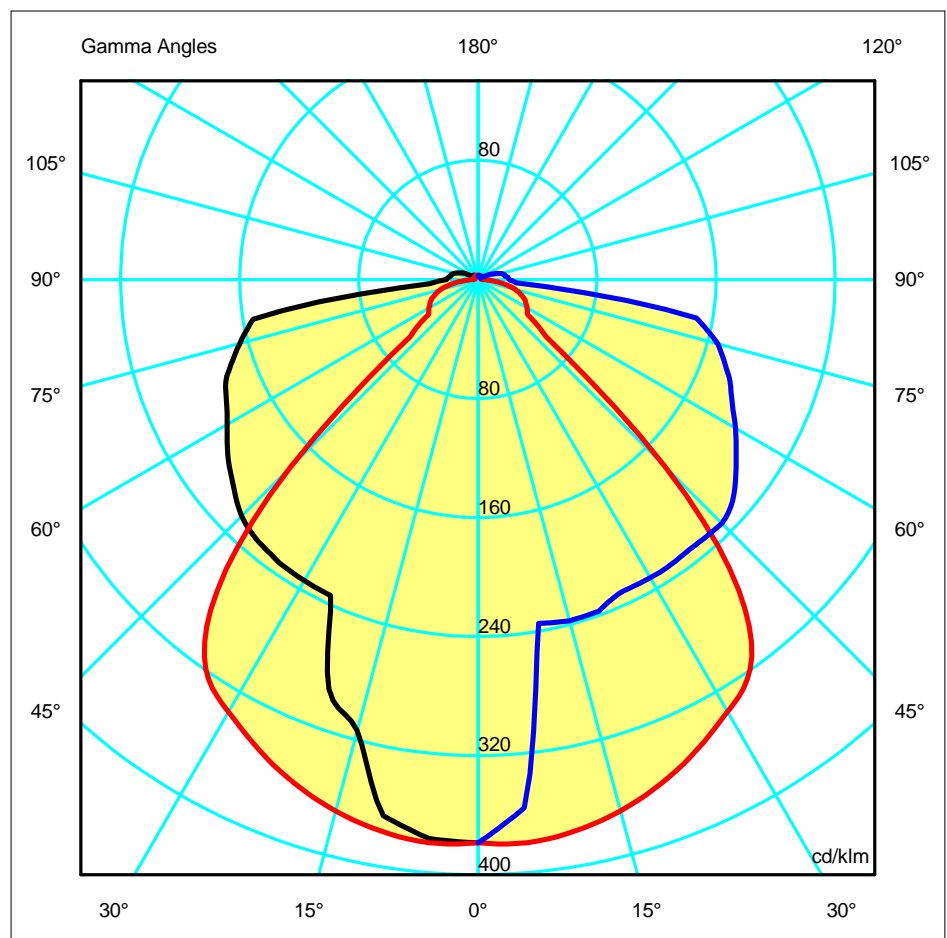
Code 00-5458-BW-F9
 Name Colgante TALK 2 leds 13W

Luminaire Flux	1257.12 lm	Luminaire Power	14.00 W	Efficacy	89.79 lm/W	Efficiency	100.00%
Lamps Flux	1257.12 lm	Maximum value	379.80 cd/klm	Position	C=0.00 G=5.00	CG Sym. on planes 270-90	
Rectangular Luminaire Rectangular Luminous Area	Length Length	240 mm 240 mm	Width Width	130 mm 130 mm	Height Height	590 mm 300 mm	
Horizontal Luminous Area Emitting area on Plane 0° Emitting area on Plane 90°	0.031200 m2 0.072000 m2 0.039000 m2	Emitting area on Plane 180° Emitting area on Plane 270° Glare area at 76°		0.072000 m2 0.039000 m2 0.077409 m2			
Coordinate system Date Measurement Distance	CG Roads 07-06-2016 0.00		Symmetry Type Maximum Gamma Angle Measurement Flux		Sym. on planes 270-90 180 1257.12 lm		
Operator Temperature Humidity Notes	Assselum T2 25.00 °C 60.00 %		Source Voltage [V] Source current [A] Photocell				

		Luminaire Lamps			
Line	Code	Name	Flux [lm]	Pow. [W]	Q.ty
	00-5458-BW-F9	00-5458-BW-F9 - 14.00 W	1257.12	14.00	1
C.I.E.	46 76 94 96 100	D DIN 5040	A31		



ULOR 3.75 %
 DLOR 96.25 %
 RN 3.75 %



Luminaire

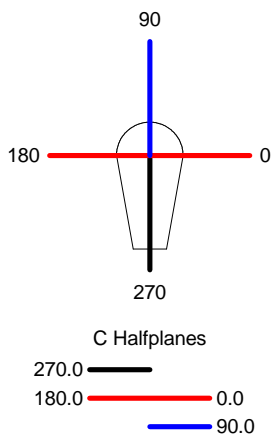
Code 00-5457-Z5-F9
 Name Colgante TALK 2 leds 13W

Measur.

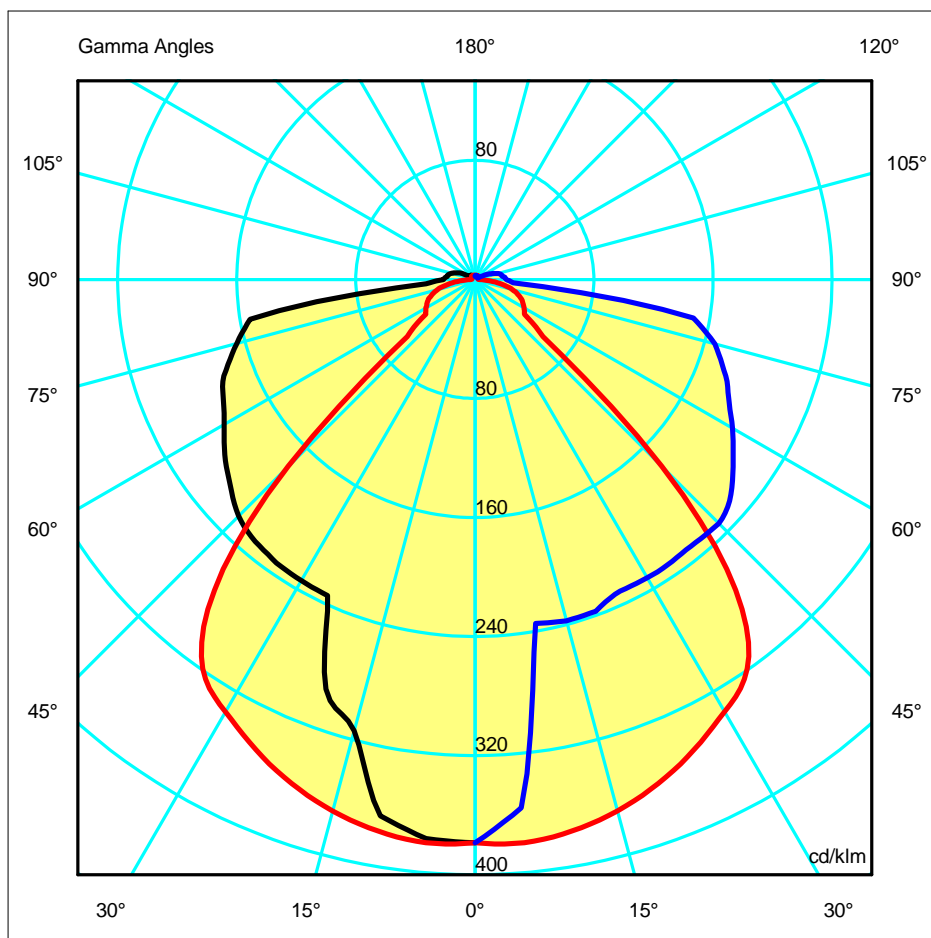
Code 00-5458-BW-F9
 Name Colgante TALK 2 leds 13W

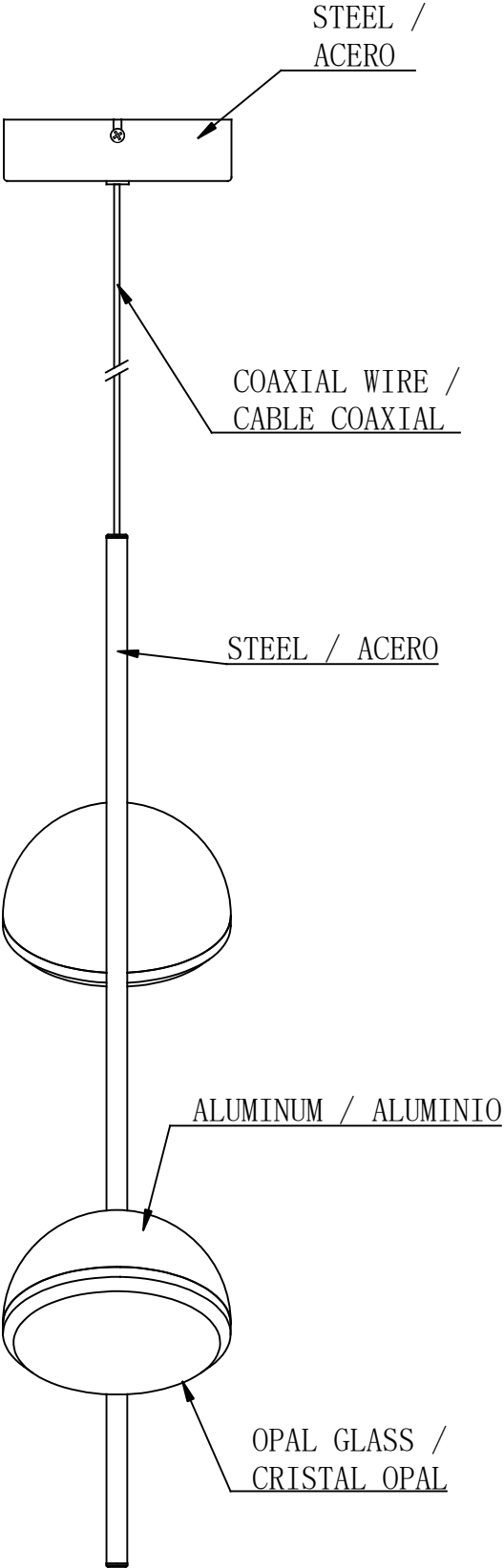
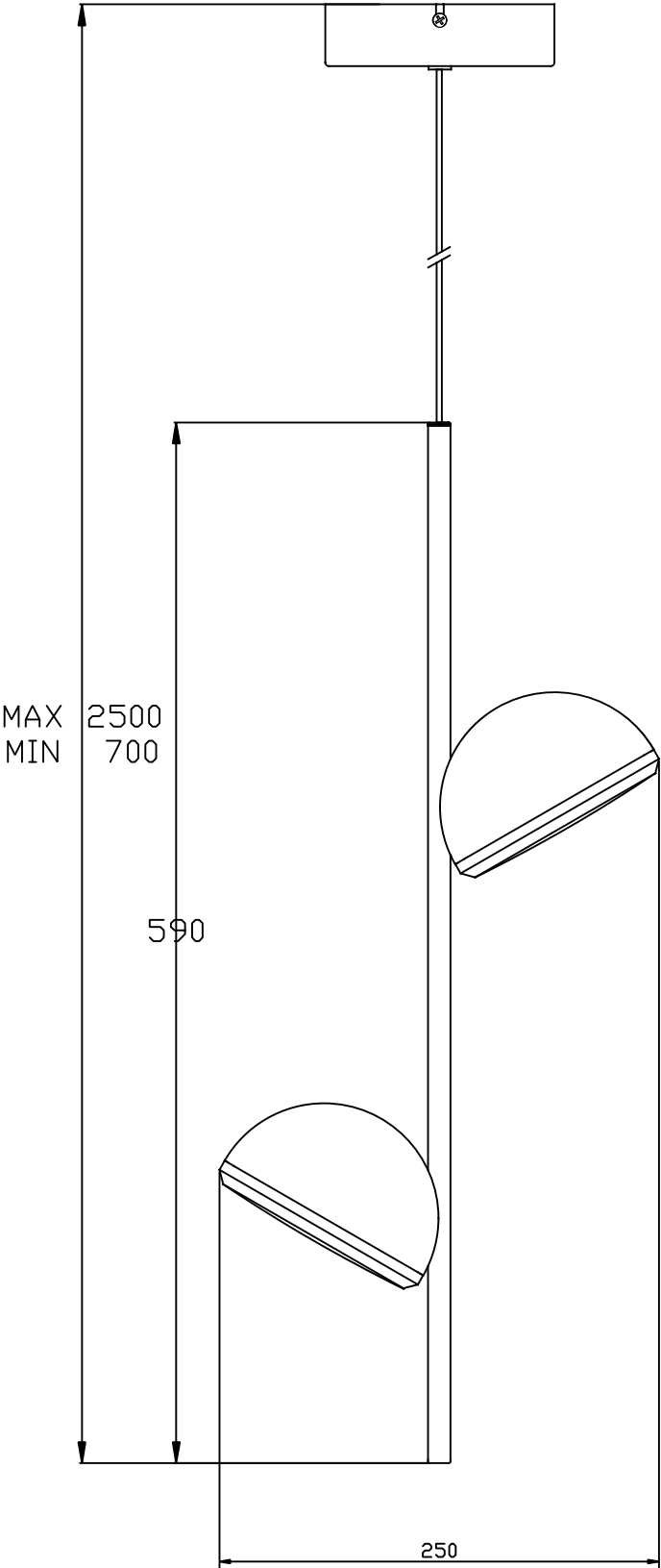
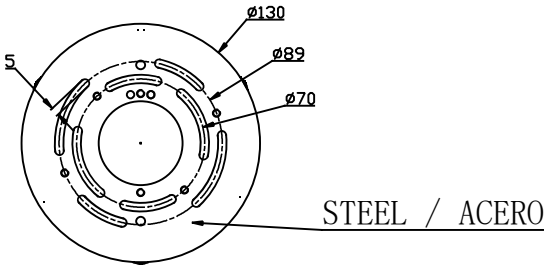
Luminaire Flux	1257.12 lm	Luminaire Power	14.00 W	Efficacy	89.79 lm/W	Efficiency	100.00%
Lamps Flux	1257.12 lm	Maximum value	379.80 cd/klm	Position	C=0.00 G=5.00	CG Sym. on planes 270-90	
Rectangular Luminaire Rectangular Luminous Area	Length Length	240 mm 240 mm	Width Width	130 mm 130 mm	Height Height	590 mm 300 mm	
Horizontal Luminous Area Emitting area on Plane 0° Emitting area on Plane 90°	0.031200 m2 0.072000 m2 0.039000 m2		Emitting area on Plane 180° Emitting area on Plane 270° Glare area at 76°		0.072000 m2 0.039000 m2 0.077409 m2		
Coordinate system Date Measurement Distance	CG Roads 07-06-2016 0.00		Symmetry Type Maximum Gamma Angle Measurement Flux		Sym. on planes 270-90 180 1257.12 lm		
Operator Temperature Humidity Notes	Assselum T2 25.00 °C 60.00 %		Source Voltage [V] Source current [A] Photocell				

		Luminaire Lamps				
Line	Code	Name	Flux [lm]	Pow. [W]	Q.ty	
	00-5458-BW-F9	00-5458-BW-F9 - 14.00 W	1257.12	14.00	1	
C.I.E.	46 76 94 96 100	D DIN 5040	A31			

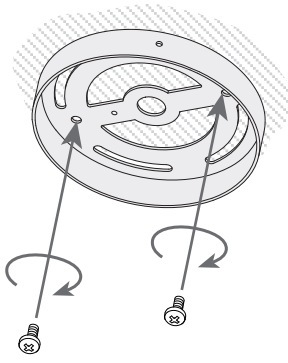


ULOR 3.75 %
 DLOR 96.25 %
 RN 3.75 %

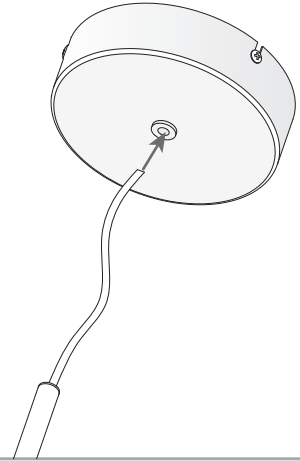




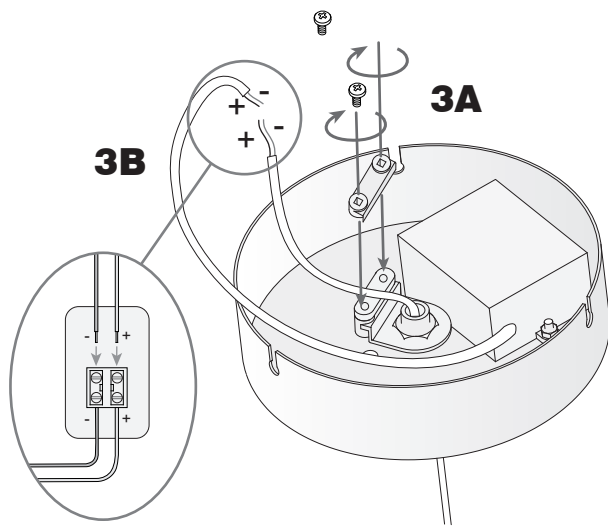
1



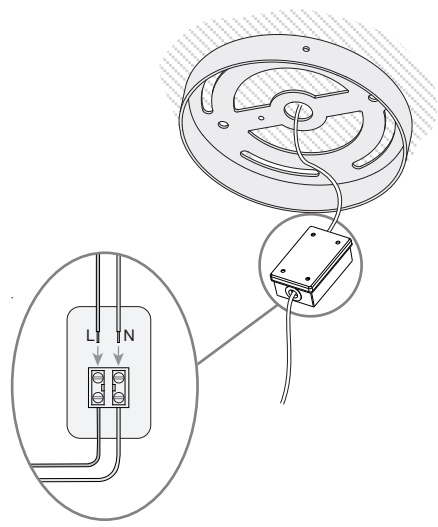
2



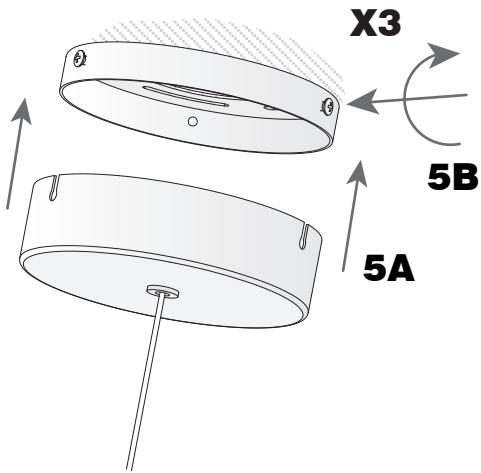
3



4



5



6

