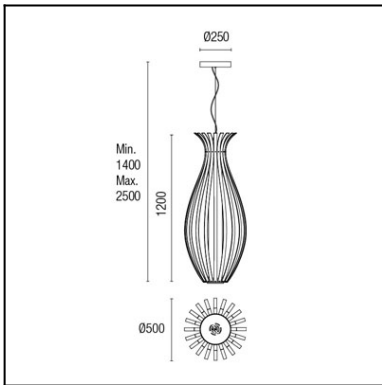


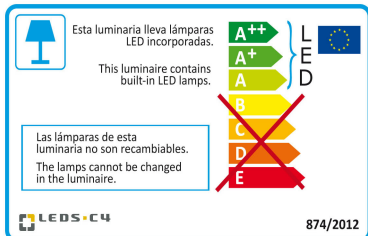
Design by Gemma Bernal



The photograph may not match the reference exactly. Please read the product description to identify the finish.



Download photometric file .ldt / .ies



Click on image to download energy label

TECHNICAL CHARACTERISTICS

Type:	Pendant
IP Protection degrees:	IP20
Light source 1:	330 x LED 22W Warm White - 3000K 1870 lm ^(N) CRI 80
Voltage / Frequency:	100-240V/50-60Hz
Warranty (Years):	2
Option to extend the guarantee (Years):	5
Units per box:	1
EAN:	8435381433383



MATERIALS / FINISHES

Structure material:	Steel Wood	Diffuser material:	Methacrylate
Structure finish:	Painted rust	Diffuser finish:	Opal

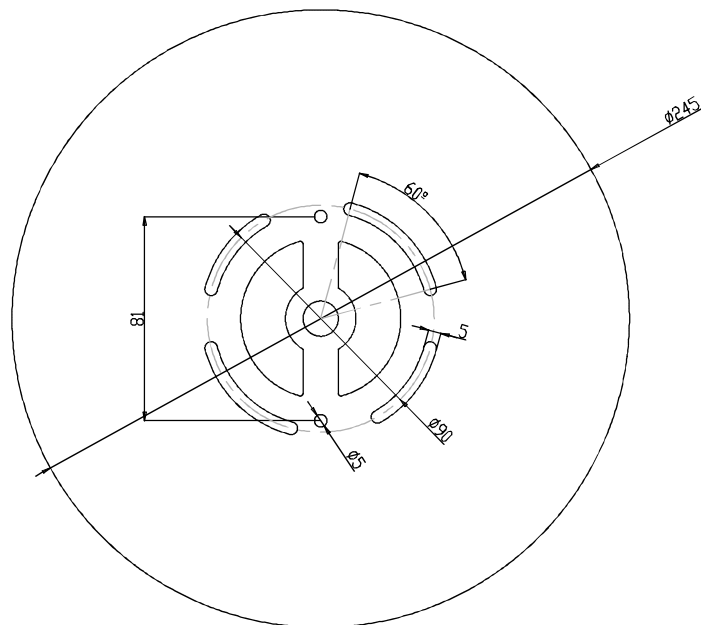
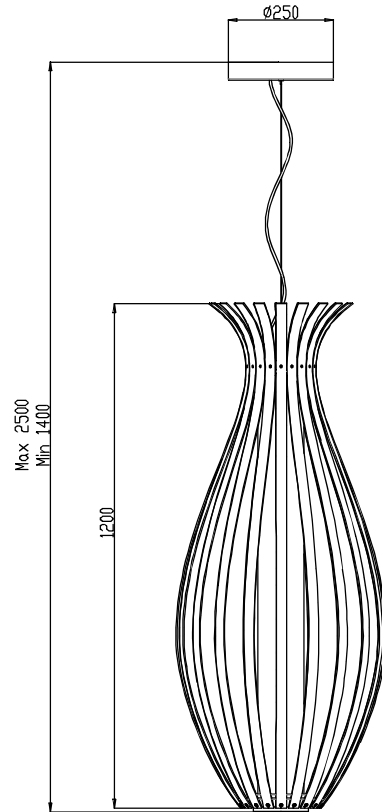
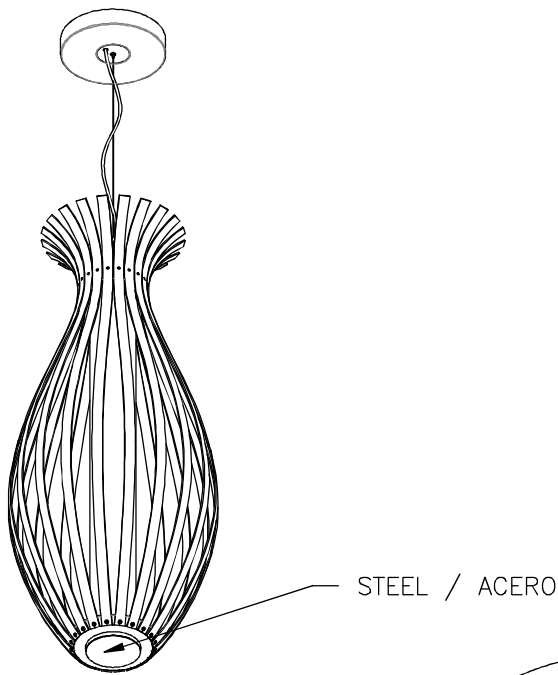
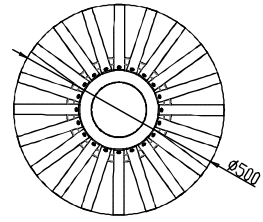
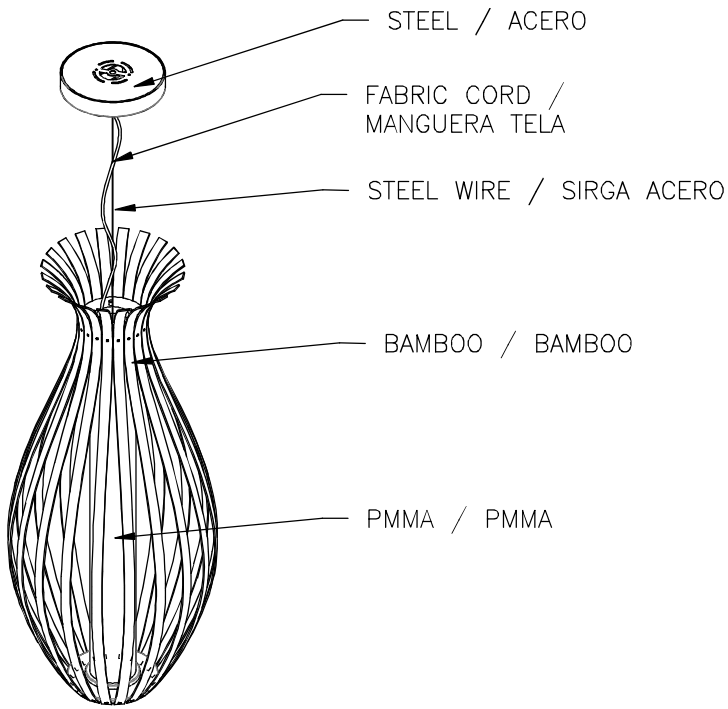
GEAR

Multi-voltage electronic gear included (100-240V / 50-60Hz)
Dimming protocol: 1..10V

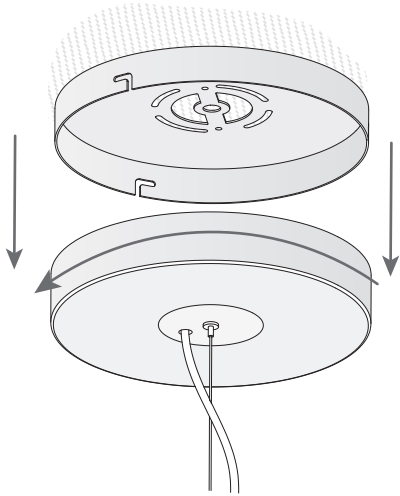
Lm^(N): Nominal flow of light in actual working conditions. Its actual flow will depend on the environmental conditions and the efficiency of the optics and/or diffuser.

LEDS-C4 reserves the right to make the necessary technical changes they deem adequate, in order to improve the features of the product.

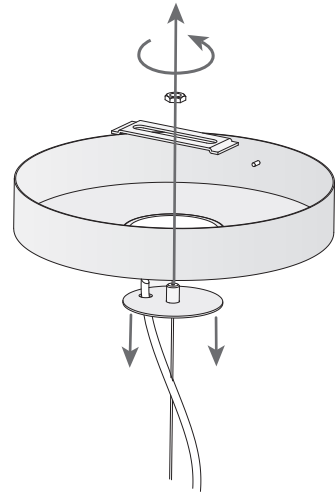
Please consult the sales team to clarify any doubt.



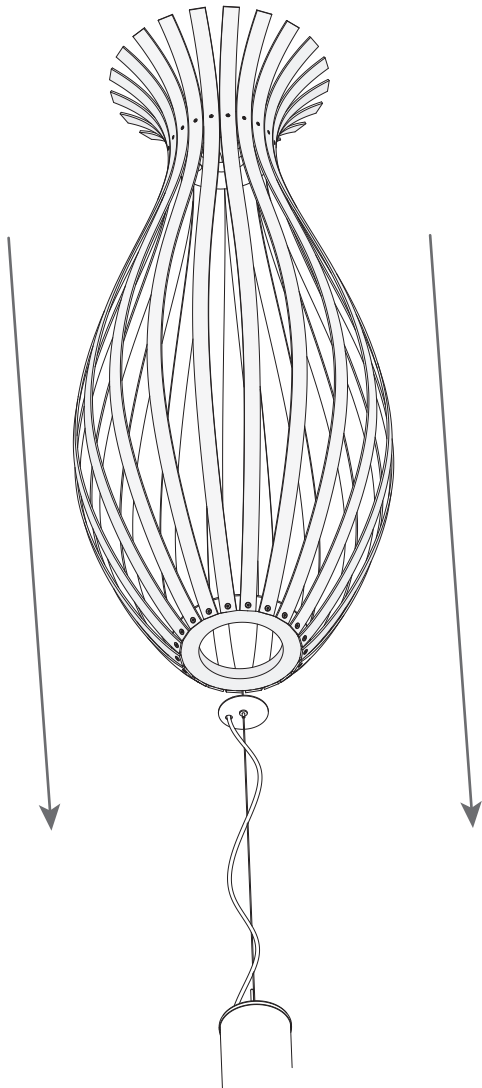
1



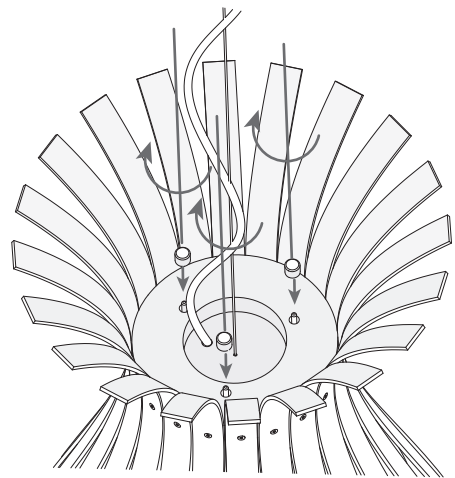
2



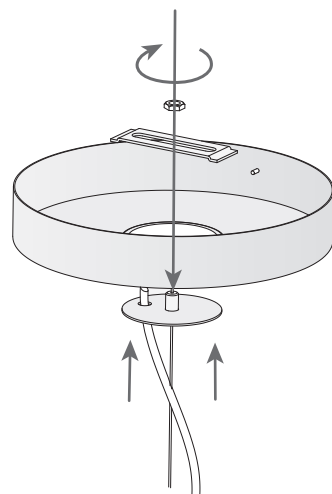
3



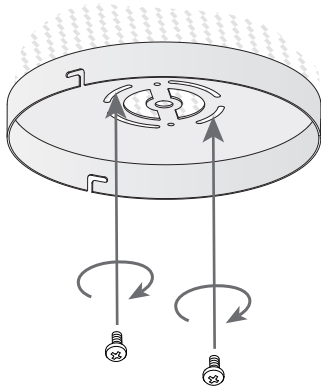
4



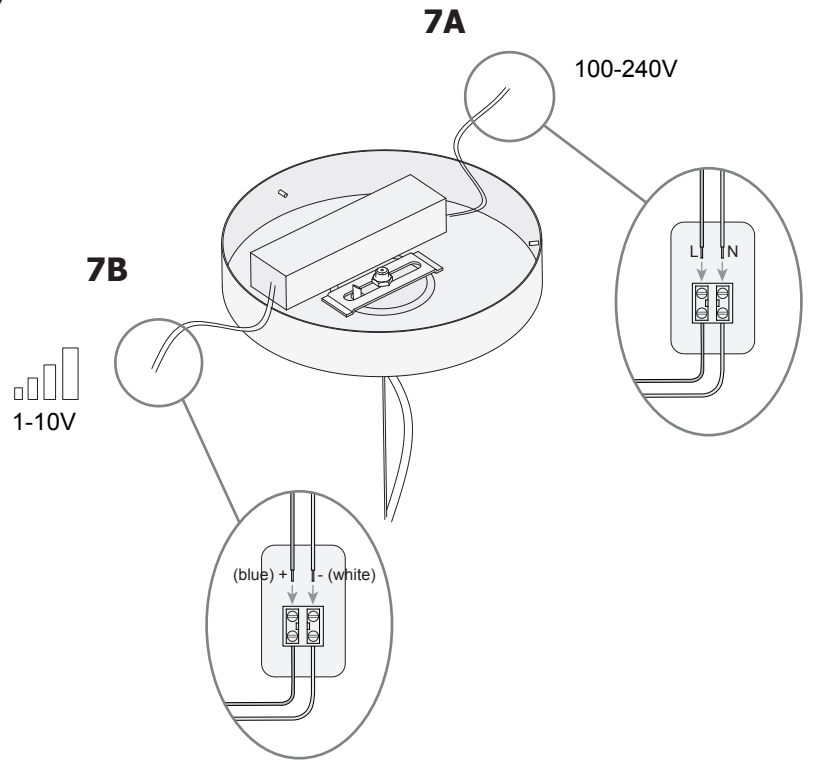
5



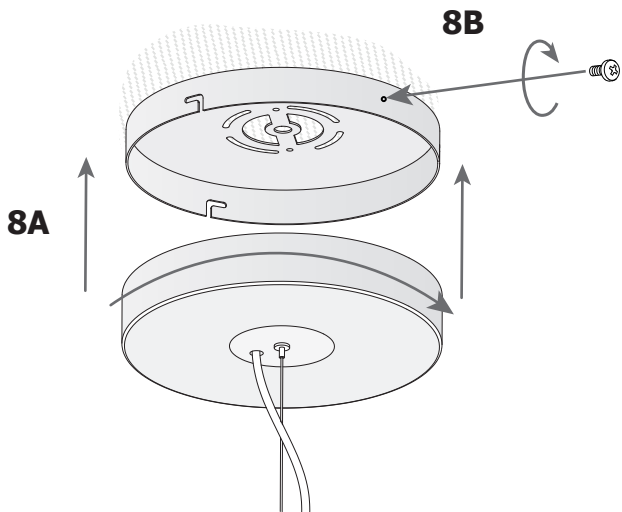
6



7



8



9

