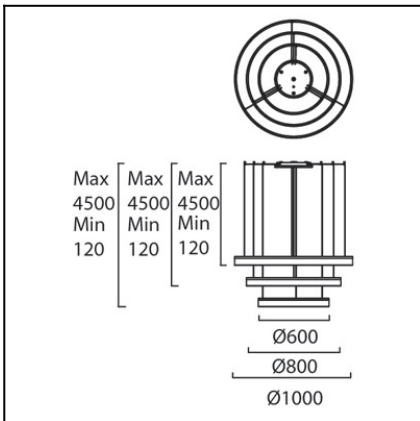


Design by GROK Team



The photograph may not match the reference exactly. Please read the product description to identify the finish.



TECHNICAL CHARACTERISTICS

Type:	Pendant
IP Protection degrees:	IP20
Light source 1:	1512 x LED 89W Warm White - 3000K 8544 lm ^(N) CRI 80
Voltage / Frequency:	100-240V/50-60Hz
Units per box:	1
Net Weight (Kg):	12.05
EAN:	8435381418038



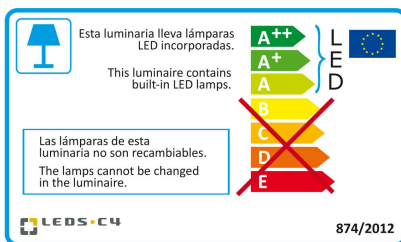
MATERIALS / FINISHES

Structure material:	Aluminium	Diffuser material:	Methacrylate
Structure finish:	Matt white	Diffuser finish:	Tinted

GEAR

Multi-voltage electronic gear included (100-240V / 50-60Hz)

[Download photometric file .ldt / .ies](#)



[Click on image to download energy label](#)

Lm^(N): Nominal flow of light in actual working conditions. Its actual flow will depend on the environmental conditions and the efficiency of the optics and/or diffuser.

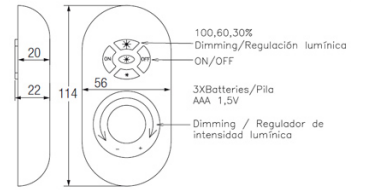
LEDS-C4 reserves the right to make the necessary technical changes they deem adequate, in order to improve the features of the product.
Please consult the sales team to clarify any doubt.

(+34) 973 468 100
leds-c4@leds-c4.com
www.leds-c4.com

71-2241-00-00

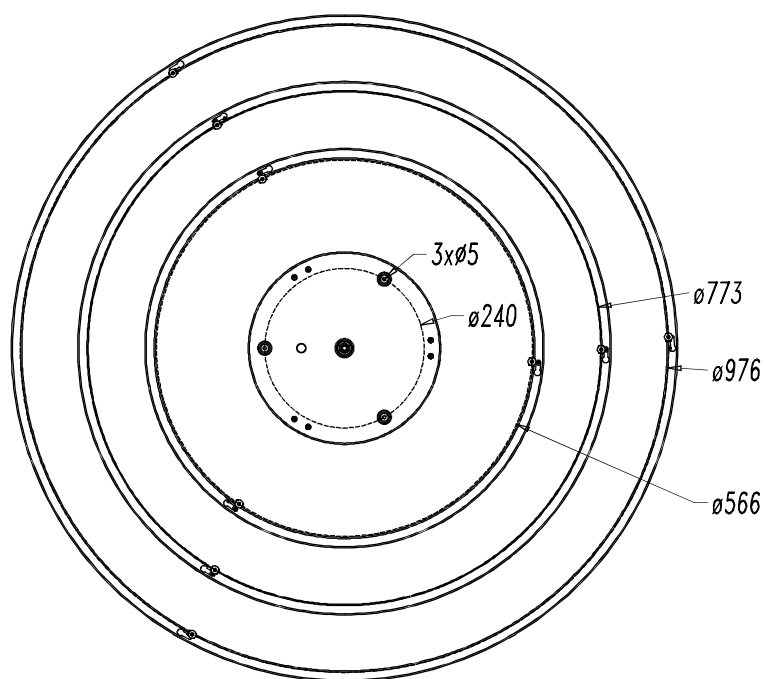
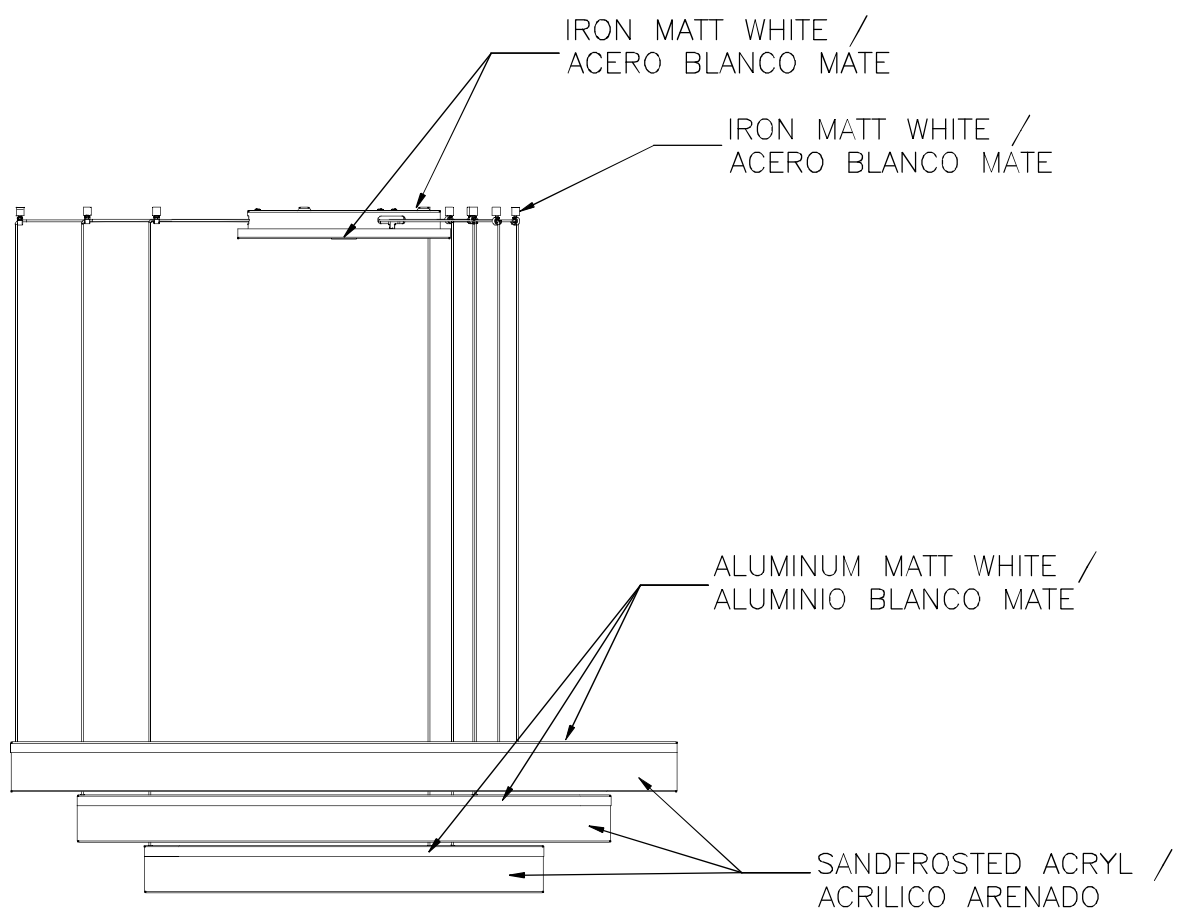


Controller with remote control

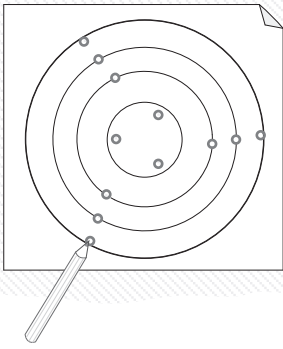


IP20

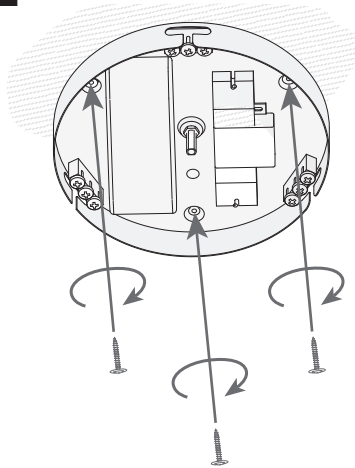




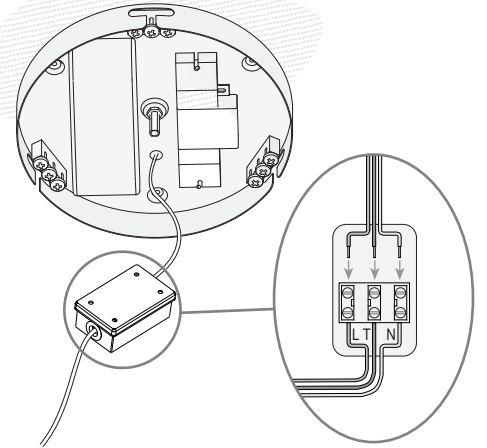
1



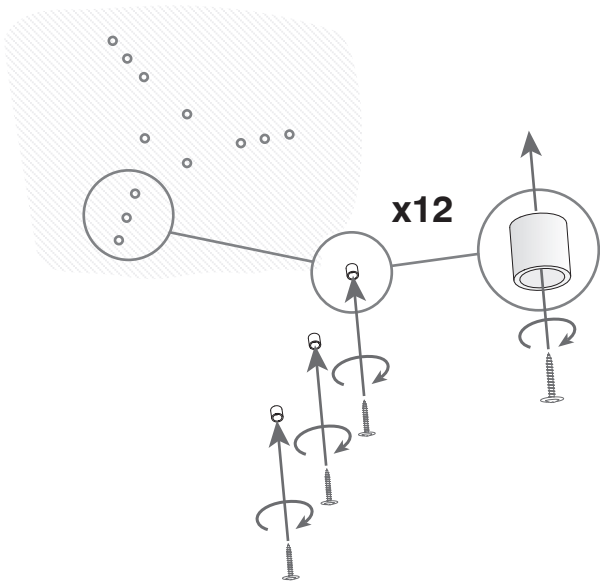
2



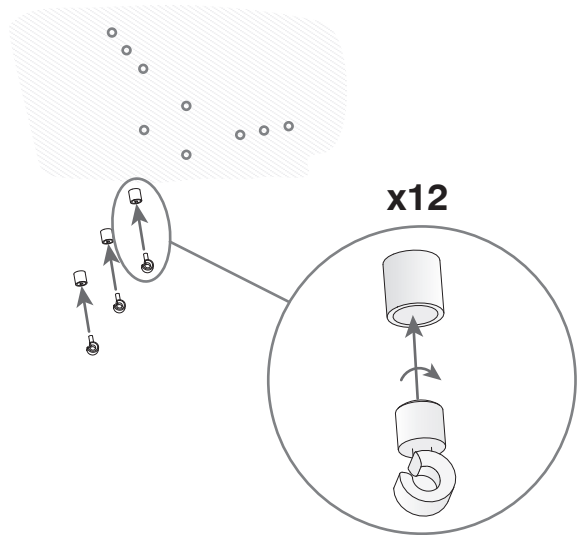
3



4



5

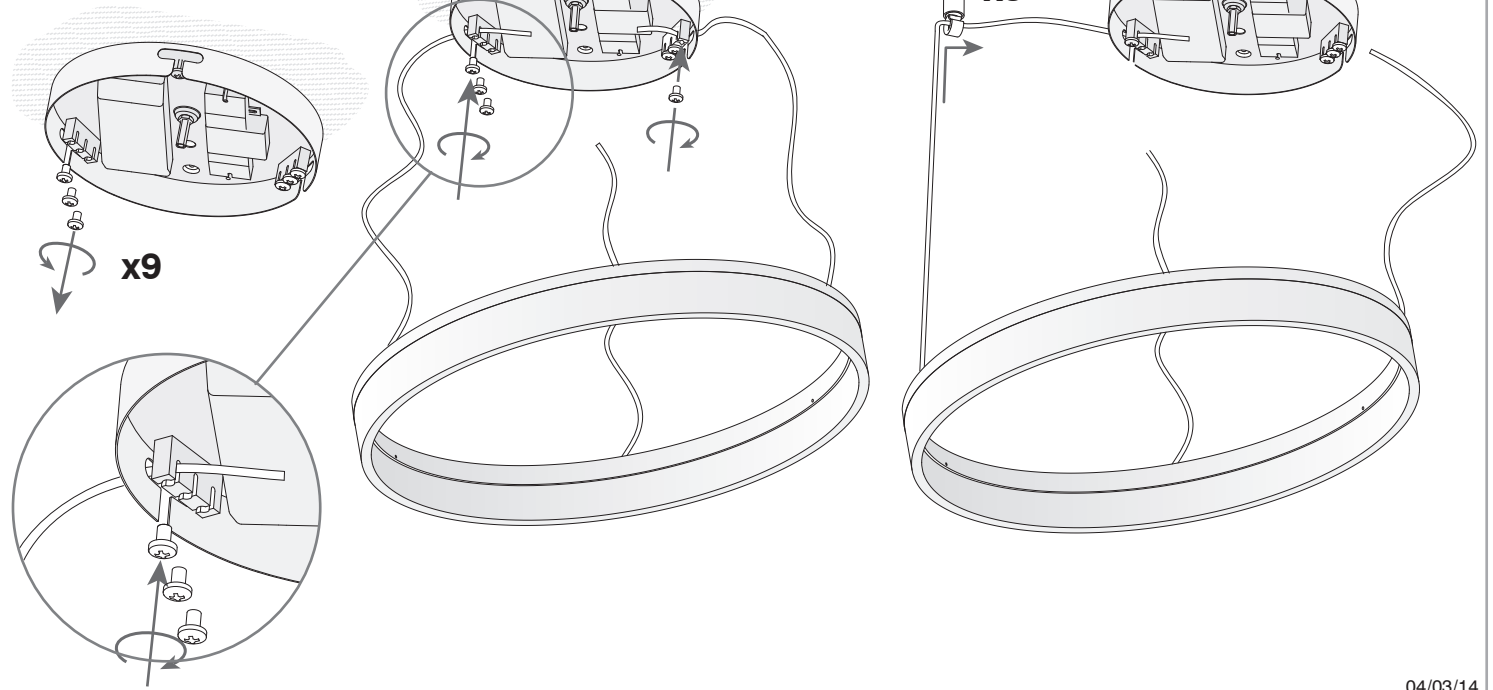


6

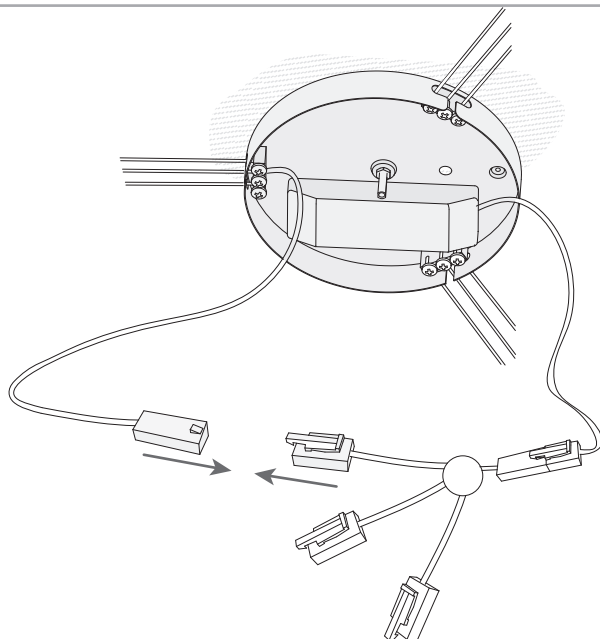
6A

6B

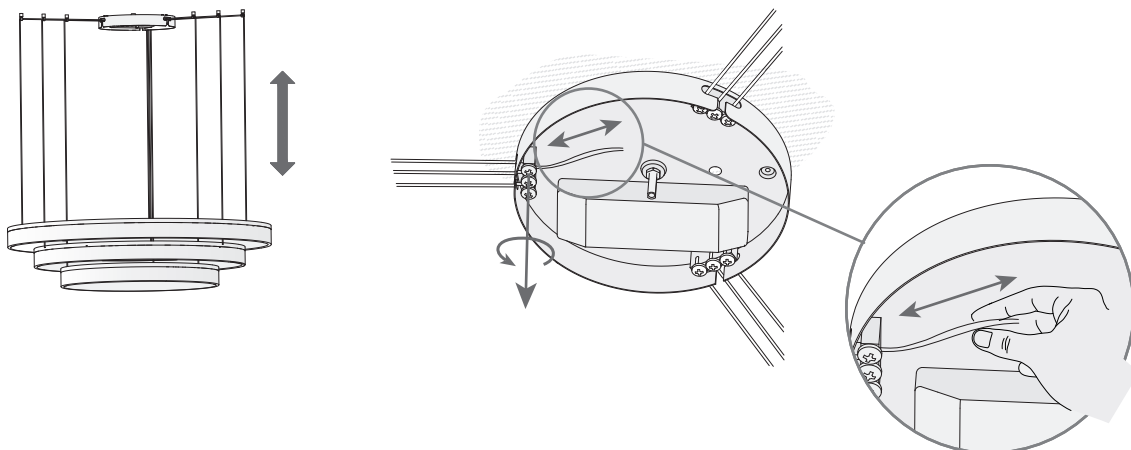
6C



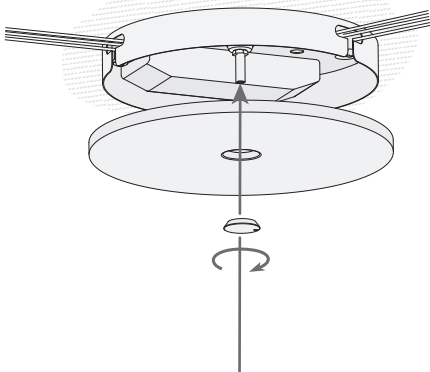
7



8



9



10

