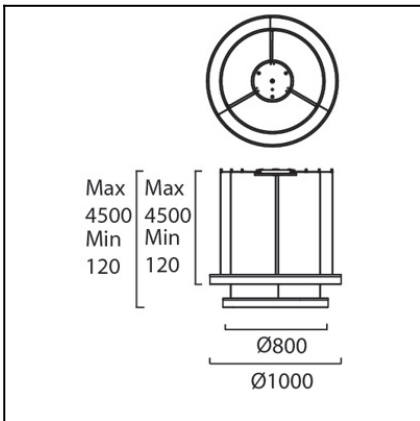


Design by GROK Team



The photograph may not match the reference exactly. Please read the product description to identify the finish.



TECHNICAL CHARACTERISTICS

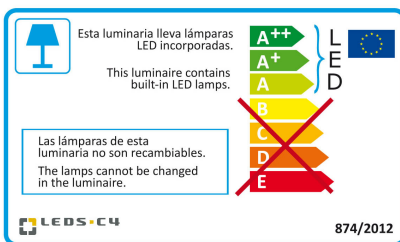
Type:	Pendant
IP Protection degrees:	IP20
Light source 1:	1134 x LED 67W Warm White - 3000K 6432 lm ^(N) CRI 80
Voltage / Frequency:	100-240V/50-60Hz
Warranty (Years):	2
Option to extend the guarantee (Years):	5
Units per box:	1
Net Weight (Kg):	9.565
EAN:	8435381418021



MATERIALS / FINISHES

Structure material:	Aluminium	Diffuser material:	Methacrylate
Structure finish:	Matt white	Diffuser finish:	Tinted

Download photometric file .ldt /.ies



Click on image to download energy label

GEAR

Multi-voltage electronic gear included (100-240V / 50-60Hz)

Lm^(N): Nominal flow of light in actual working conditions. Its actual flow will depend on the environmental conditions and the efficiency of the optics and/or diffuser.

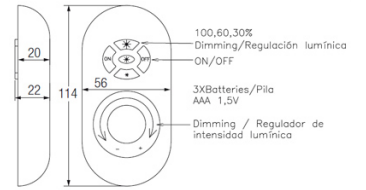
LEDS-C4 reserves the right to make the necessary technical changes they deem adequate, in order to improve the features of the product.
Please consult the sales team to clarify any doubt.

(+34) 973 468 100
leds-c4@leds-c4.com
www.leds-c4.com

71-2241-00-00



Controller with remote control



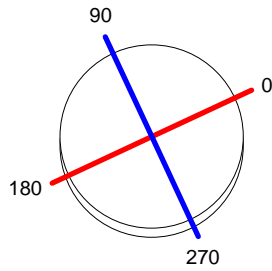
IP20



Luminaire		Measur.		Lamp	
Code	00-3648-BW-M3	Code	00-3648-BW-M3	Code	00-3648-BW-M3
Name	Colgante CIRC leds 67W	Name	Colgante CIRC leds 67W	Number	1
Line	- LEDS C4 LEDS	Date	17-07-2014	Position	Universal
Efficiency	100.00%	Coordinate system	CG	Total Flux	6171.14 lm
Maximum value	1167.81 cd	Position	C=0.00 G=0.00	Double Symmetrical	
Round Luminaire	Diam.	1000 mm	Height	275 mm	
Round Luminous Area	Diam.	1000 mm	Height	250 mm	
Horizontal Luminous Area	0.785398 m2	Emitting area on Plane 180°		0.250000 m2	
Emitting area on Plane 0°	0.250000 m2	Emitting area on Plane 270°		0.250000 m2	
Emitting area on Plane 90°	0.250000 m2	Glare area at 76°		0.432579 m2	
Symmetry Type	Double Symmetrical	Maximum Gamma Angle	180		
Measurement Distance	6.44	Measurement Flux	6171.14 lm		
Operator	Asselum T2	Source voltage	230.00 V		
Temperature	25.00 °C	Source current	Prc		
Humidity	55.00 %	Photocell			
Notes					

Luminaire Lamps					
Line	Code	Name	Flux [lm]	Pow. [W]	Q.ty
- LEDS C4 LEDS	00-3648-BW-M3	Lámpara led 67W	6171.14	67.00	1
C.I.E.	33 61 84 75 100	D DIN 5040	B21		
F UTE	0.75 H + 0.25 T	B NBN	BZ 6		

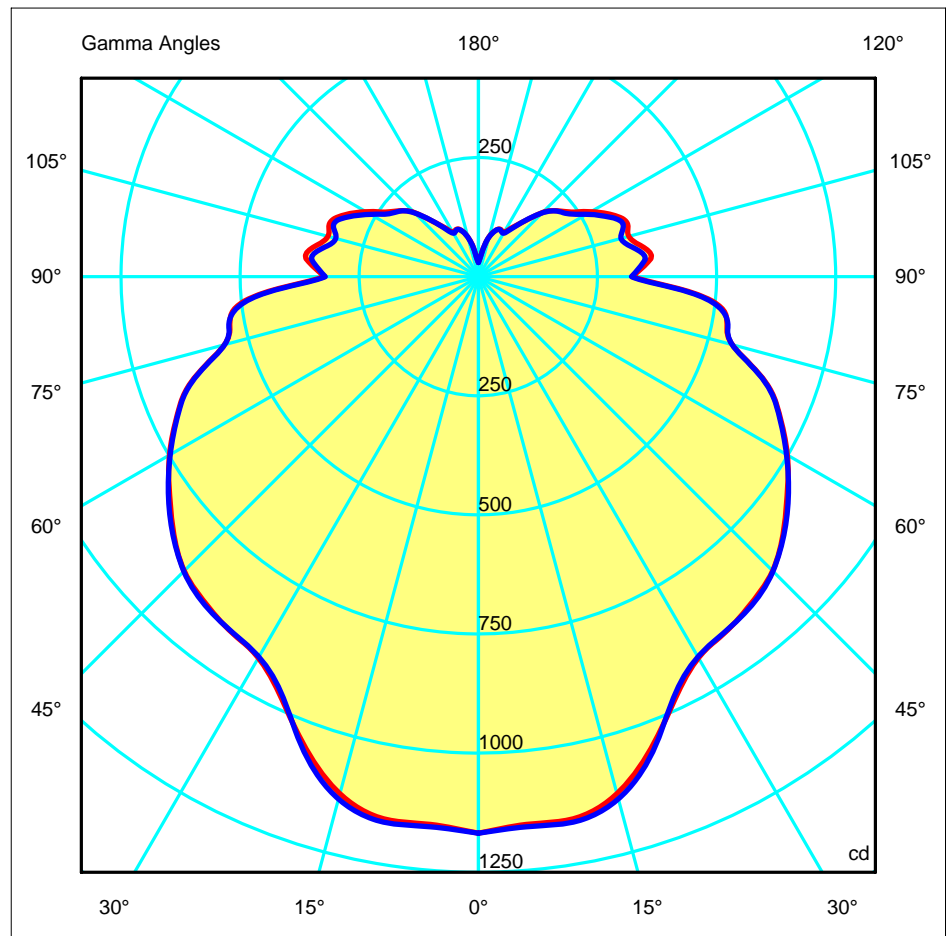
Diam=1000mm

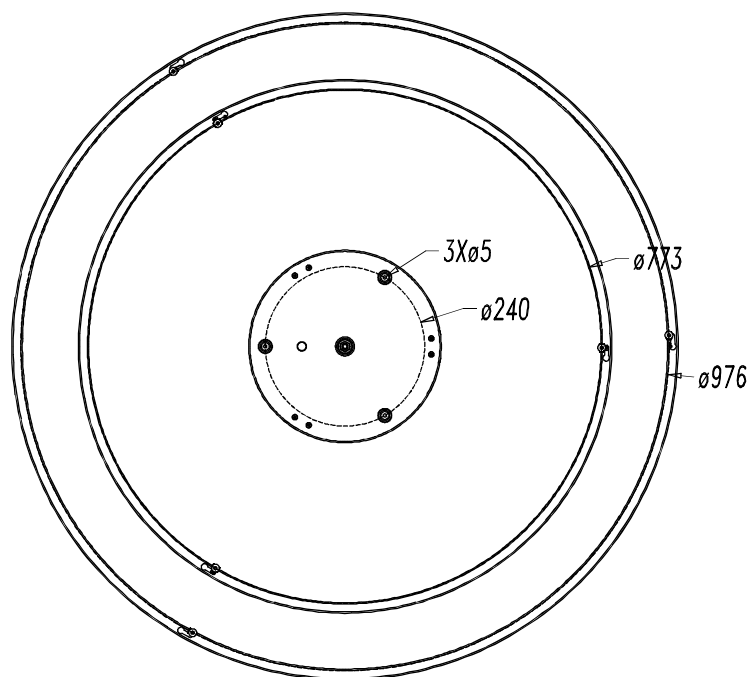
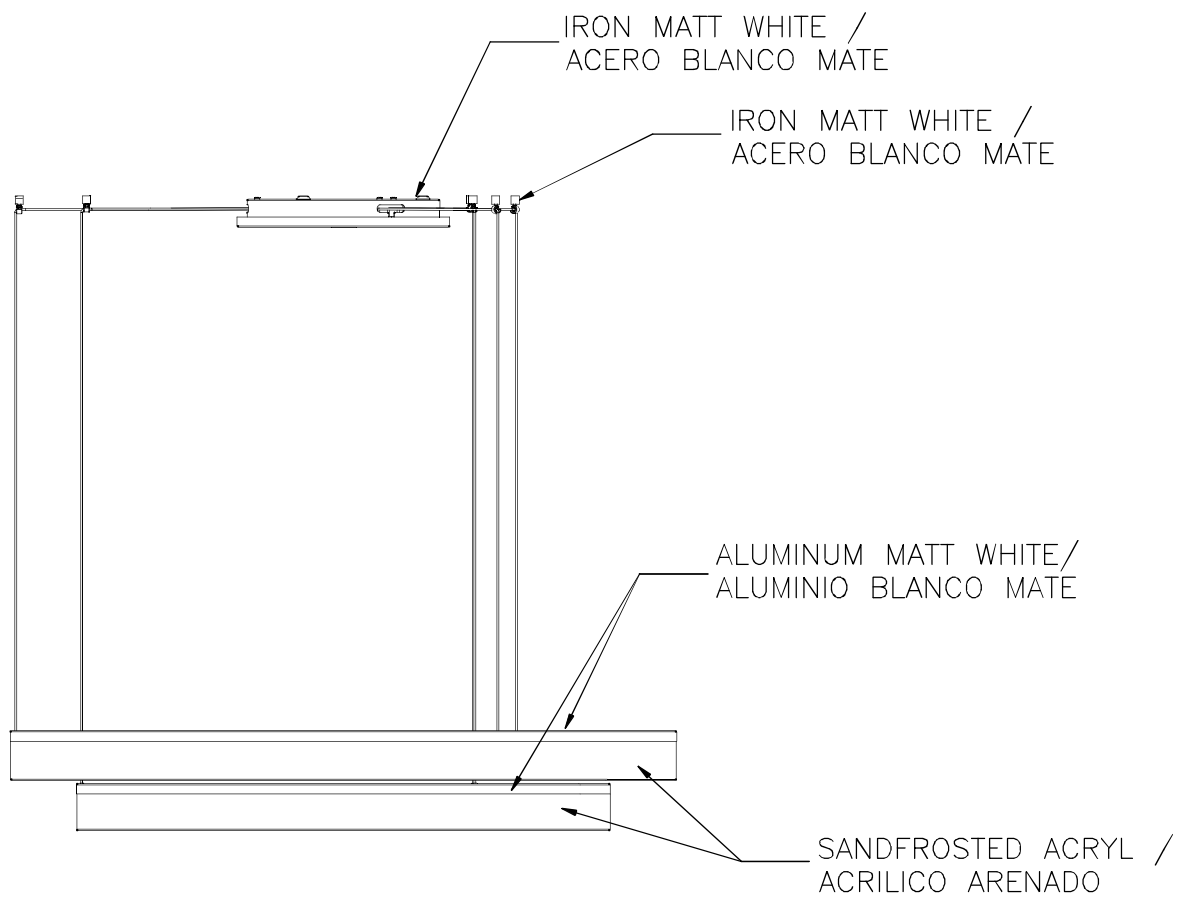


C Halfplanes

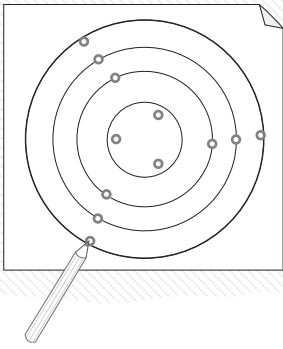
180.0 — 0.0
270.0 — 90.0

ULOR 25.07 %
DLOR 74.93 %
RN 25.07 %

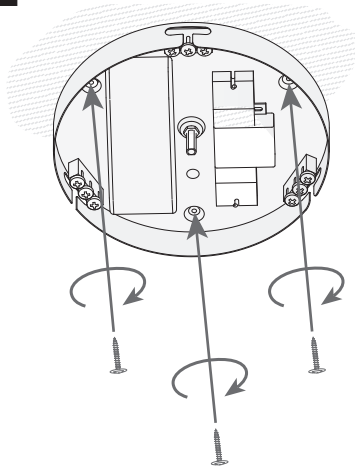




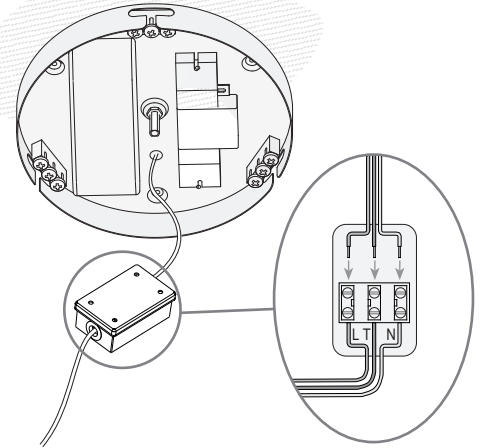
1



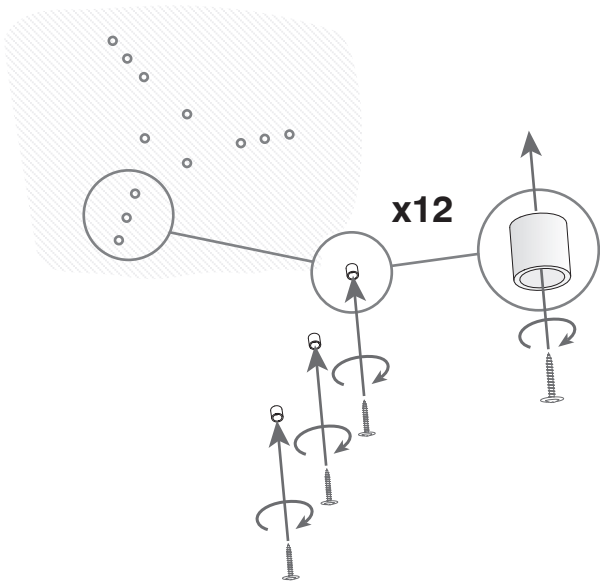
2



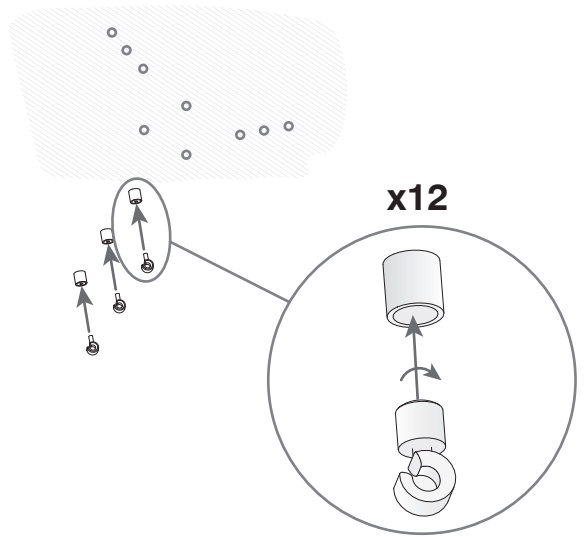
3



4



5

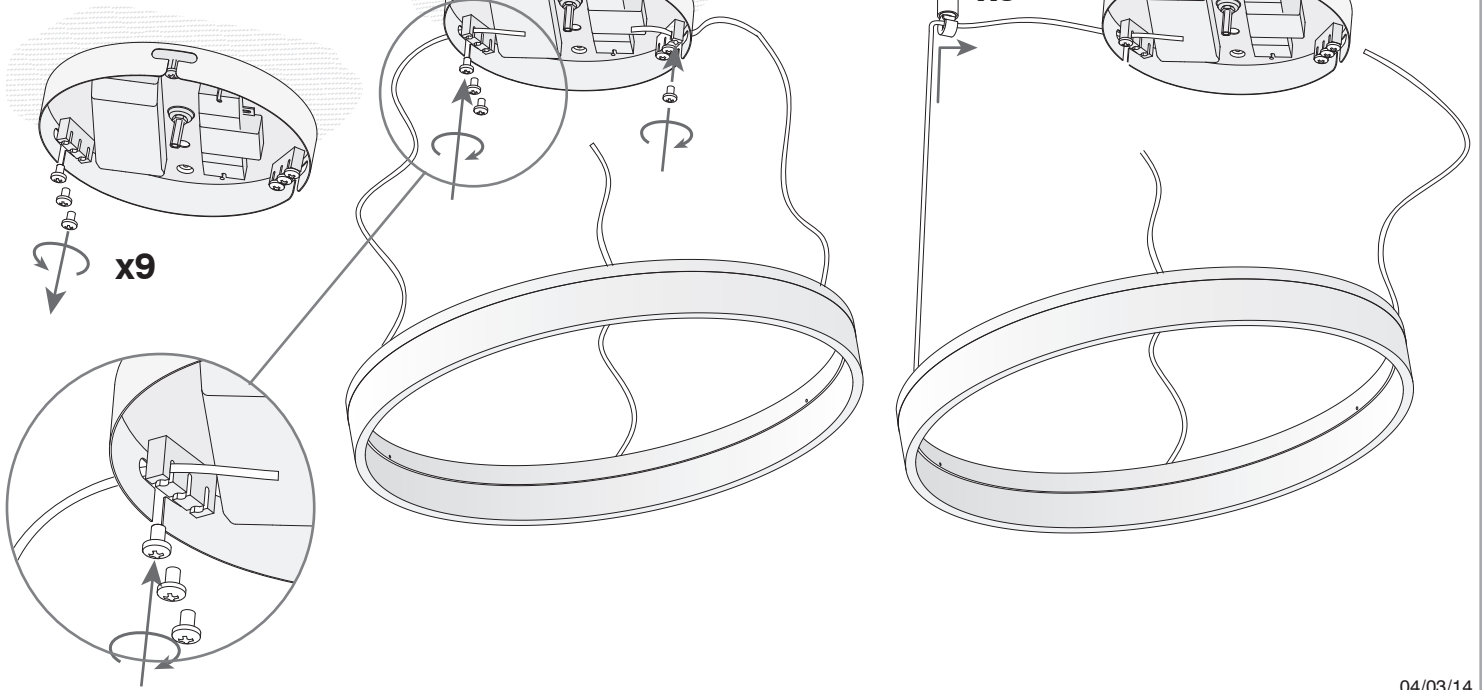


6

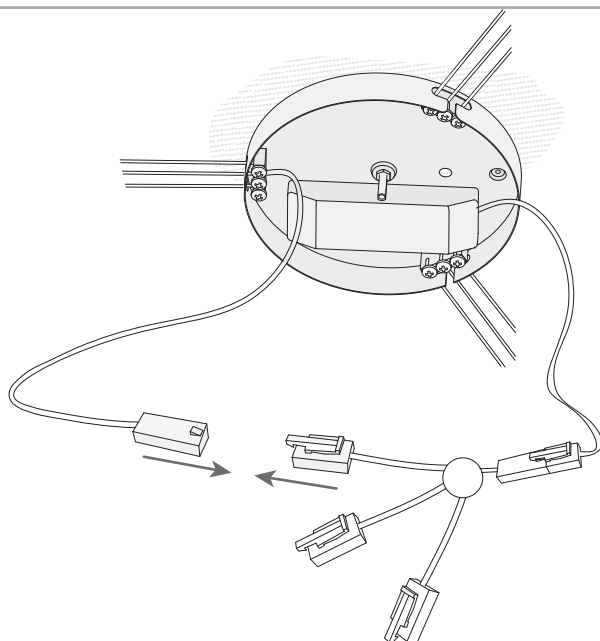
6A

6B

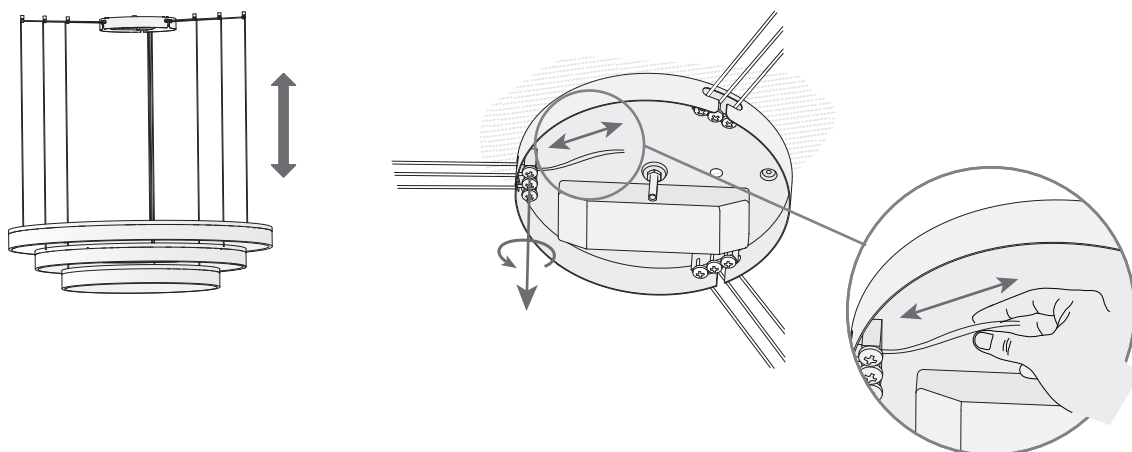
6C



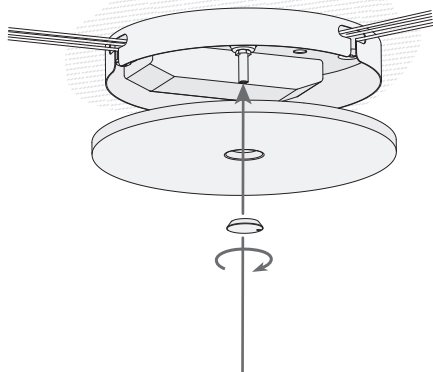
7



8



9



10

