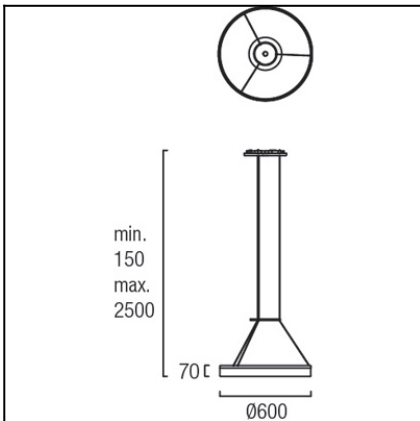


Design by GROK Team



The photograph may not match the reference exactly. Please read the product description to identify the finish.



### TECHNICAL CHARACTERISTICS

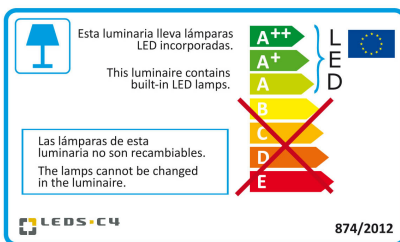
Type:	Pendant
IP Protection degrees:	IP20
Light source 1:	358 x LED 22W Warm White - 3000K 2112 lm <sup>(N)</sup> CRI 80
Total power consumption (W):	30.5
Voltage / Frequency:	100-240V/50-60Hz
Warranty (Years):	2
Option to extend the guarantee (Years):	5
Units per box:	1
Net Weight (Kg):	4.49



### MATERIALS / FINISHES

<b>Structure material:</b>	Aluminium Steel	<b>Diffuser material:</b>	Methacrylate
<b>Structure finish:</b>	Matt white	<b>Diffuser finish:</b>	Tinted

Download photometric file .ldt / .ies



Click on image to download energy label

### GEAR

Multi-voltage electronic gear included (100-240V / 50-60Hz)  
Dimming protocol: 1..10V

Lm<sup>(N)</sup>: Nominal flow of light in actual working conditions. Its actual flow will depend on the environmental conditions and the efficiency of the optics and/or diffuser.

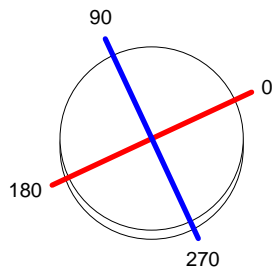
LEDS-C4 reserves the right to make the necessary technical changes they deem adequate, in order to improve the features of the product.  
Please consult the sales team to clarify any doubt.

(+34) 973 468 100  
leds-c4@leds-c4.com  
www.leds-c4.com

<b>Luminaire</b>		<b>Measur.</b>		<b>Lamp</b>	
Code	00-0641-BW-M3	Code	00-0001-BW-M3	Code	00-0001-BW-M3
Name	Colgante CIRC led 22W blanco	Name	Colgante CIRC led 22W blanco	Number	1
Line	- LEDS-C4	Date	18-06-2012	Position	Universal
Efficiency	100.00%	Coordinate system	CG	Total Flux	2223.30 lm
Maximum value	423.60 cd	Position	C=0.00 G=0.00	Double Symmetrical	
Round Luminaire	Diam.	600 mm	Height	70 mm	
Round Luminous Area	Diam.	600 mm	Height	55 mm	
Horizontal Luminous Area	0.282743 m2	Emitting area on Plane 180°	0.033000 m2		
Emitting area on Plane 0°	0.033000 m2	Emitting area on Plane 270°	0.033000 m2		
Emitting area on Plane 90°	0.033000 m2	Glare area at 76°	0.100422 m2		
Symmetry Type	Double Symmetrical	Maximum Gamma Angle	180		
Measurement Distance	6.44	Measurement Flux	2223.30 lm		
Operator	Asselum T2	Source voltage	230.00 V		
Temperature	24.00 °C	Source current			
Humidity	50.00 %	Photocell	PRC		
Notes					

Luminaire Lamps						
Line	Code	Name	Flux [lm]	Pow. [W]	Q.ty	
- LEDS C4 LEDS	00-0001-BW-M3	Lampara led blanco 22W	2223.30	22.00	1	
C.I.E.	34 61 83 73 100	D DIN 5040		B21		
F UTE	0.73 H + 0.27 T	B NBN		BZ 6		

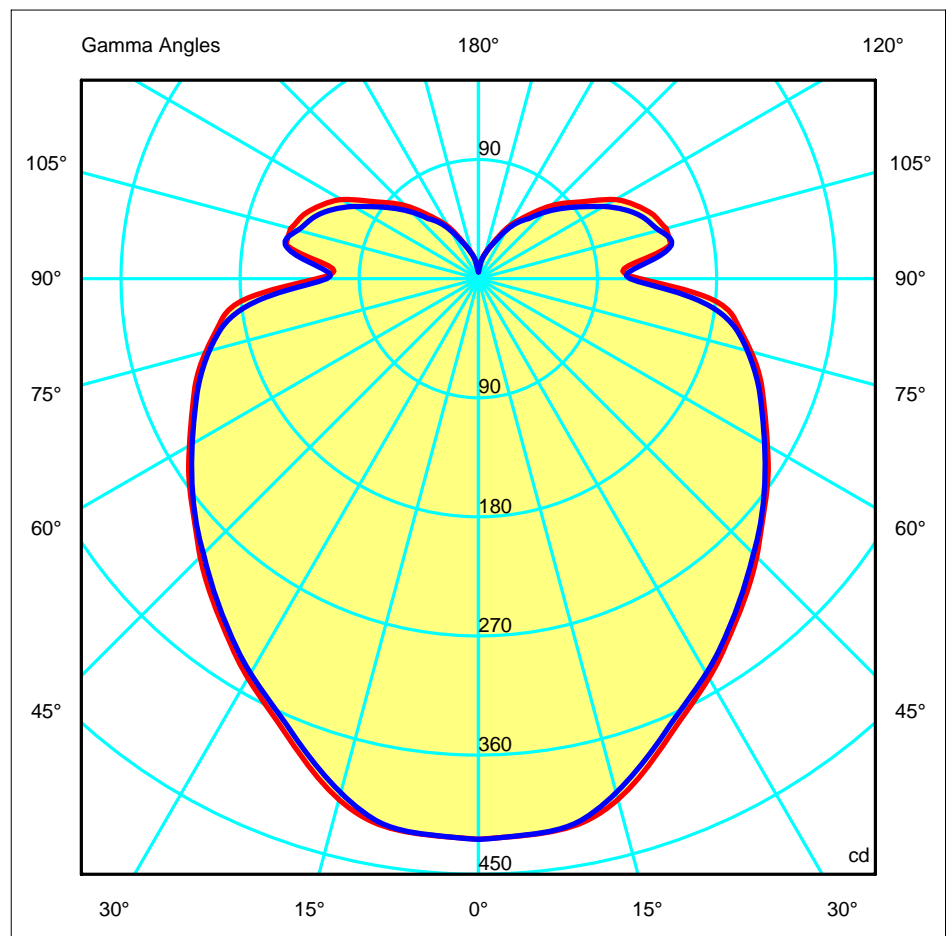
Diam=600mm



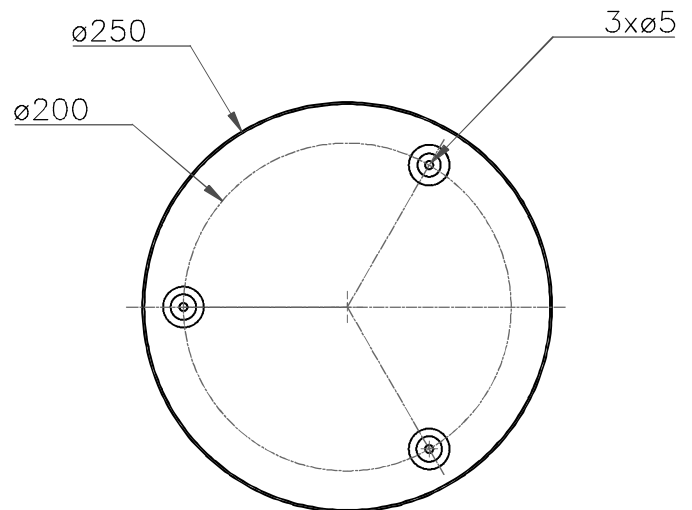
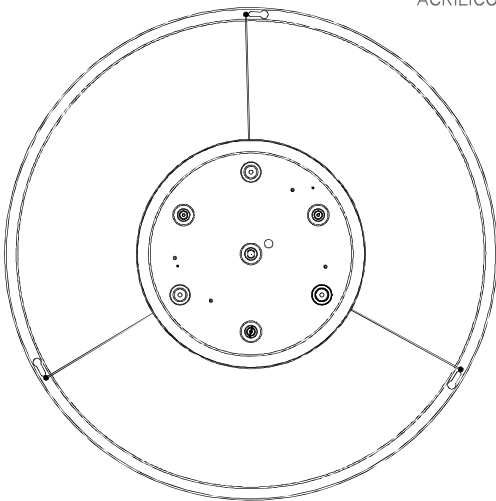
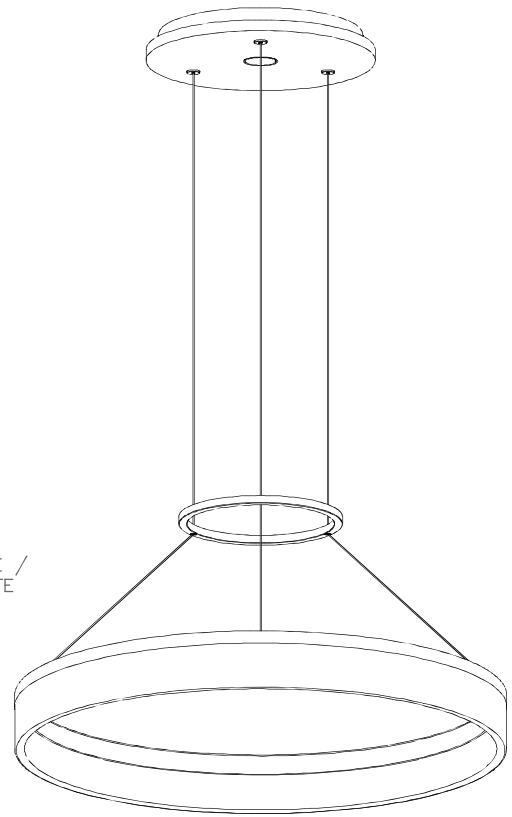
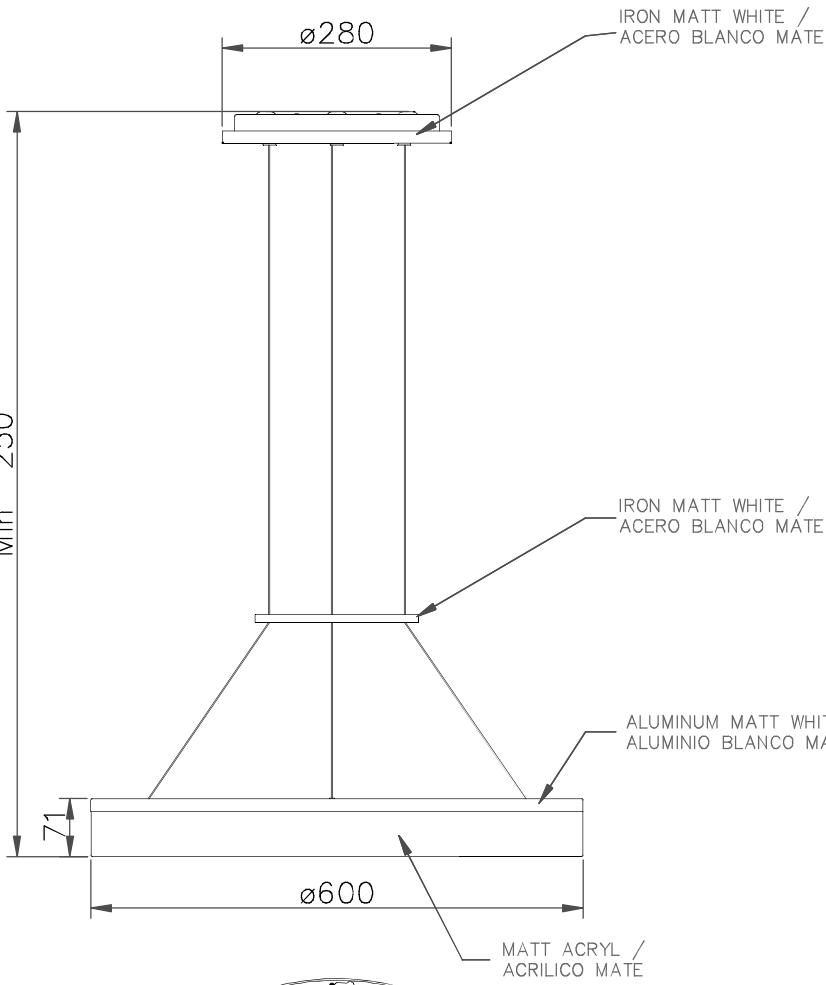
C Halfplanes

180.0 — 0.0  
270.0 — 90.0

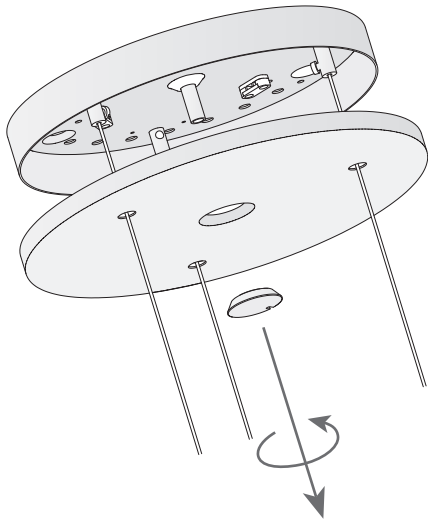
ULOR 27.19 %  
DLOR 72.81 %  
RN 27.19 %



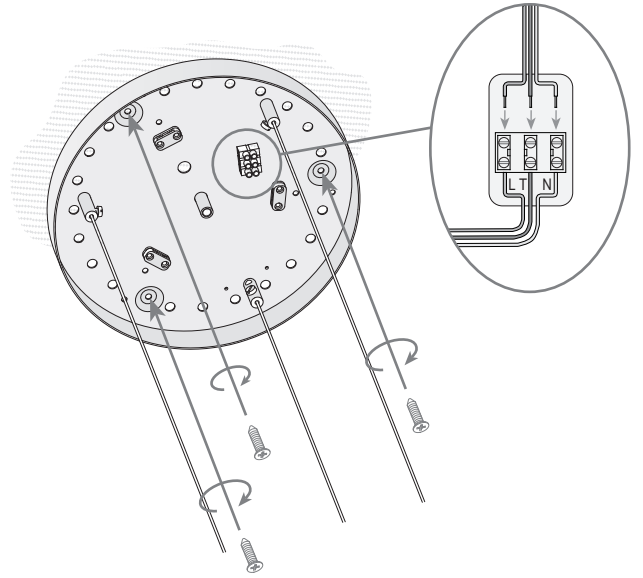
MAX. 2500  
Min 250



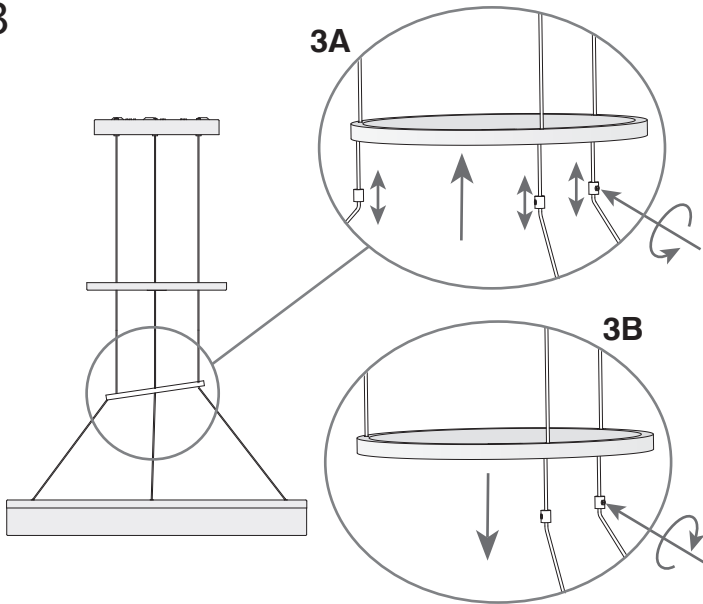
1



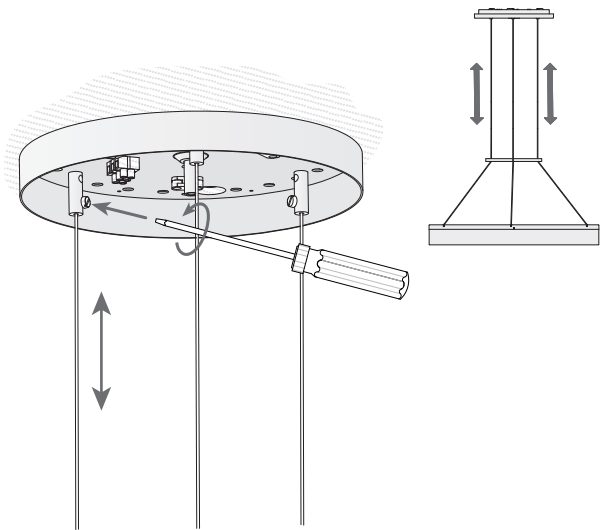
2



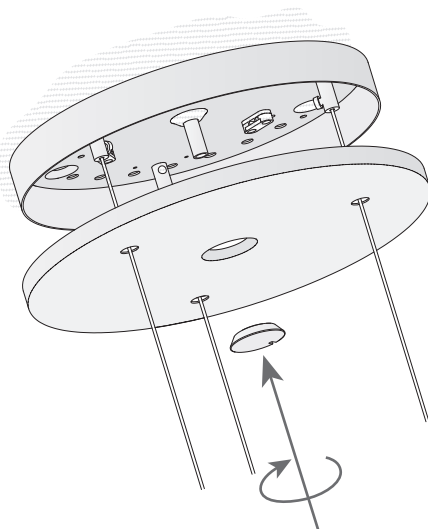
3



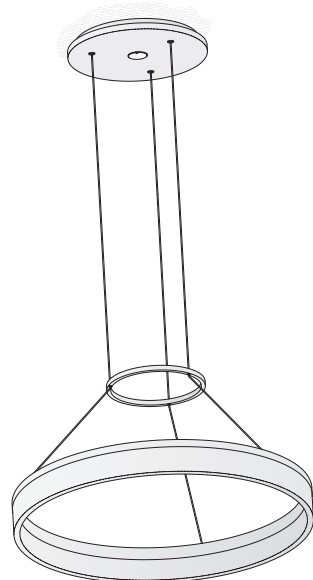
4



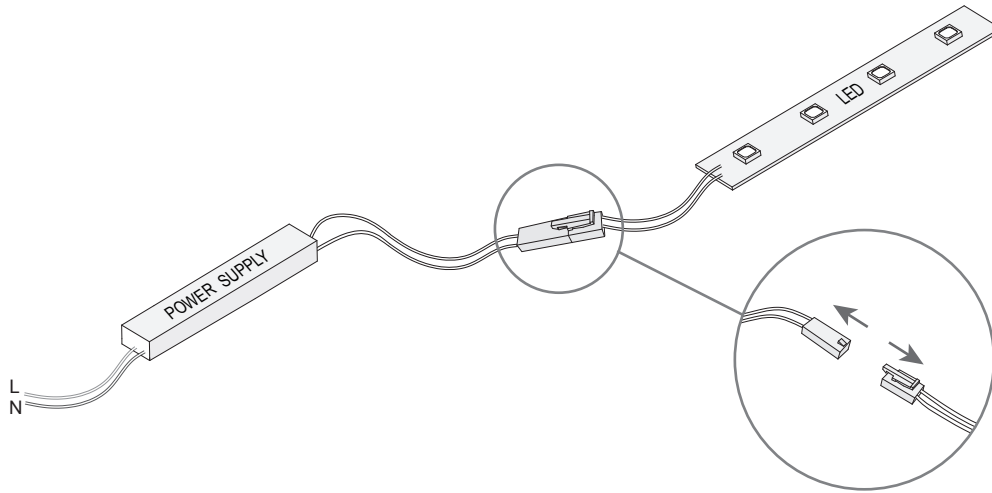
5



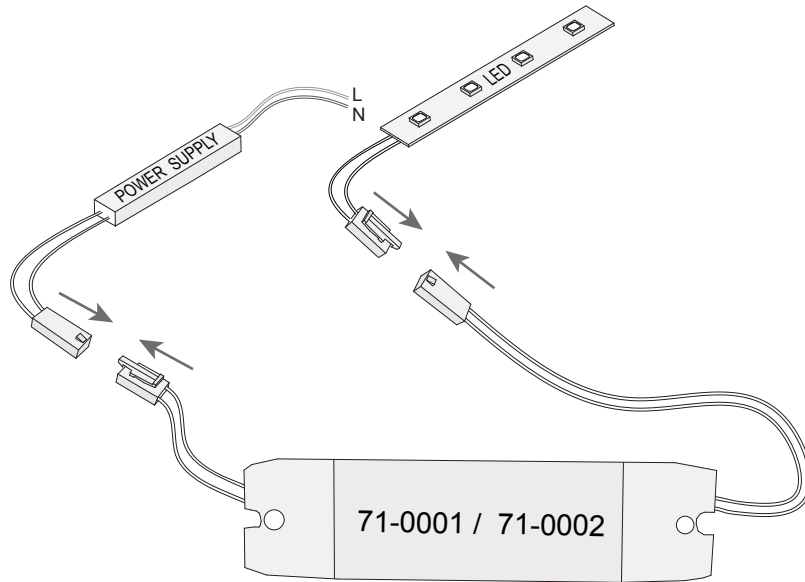
6



1



2



3

