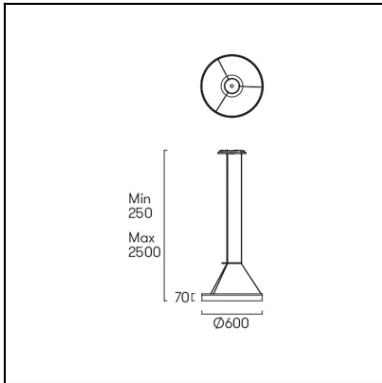
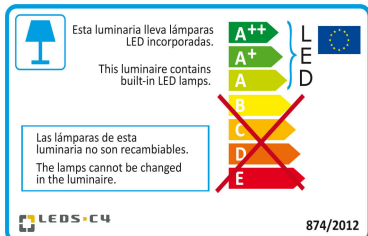




The photograph may not match the reference exactly. Please read the product description to identify the finish.



[Download photometric file .ldt /.ies](#)



[Click on image to download energy label](#)

TECHNICAL CHARACTERISTICS

Type:	Pendant
IP Protection degrees:	IP20
Light source 1:	378 x LED
Bulb specified at the product label	22W Warm White - 3000K 2112 lm ^(N) CRI 80
Total power consumption (W):	31
Angle of the optics / Reflector:	
Voltage / Frequency:	100-240VAC/50-60Hz
Warranty:	2
Option to extend the guarantee:	5
Units per box:	1
Net Weight (Kg):	4.400
EAN Code:	8435111090893



MATERIALS / FINISHES

Structure material: Aluminium
Steel

Diffuser material: Methacrylate

Structure finish: Matt white

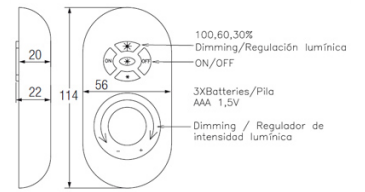
Diffuser finish: Tinted

GEAR

Multi-voltage electronic gear included (Yes)

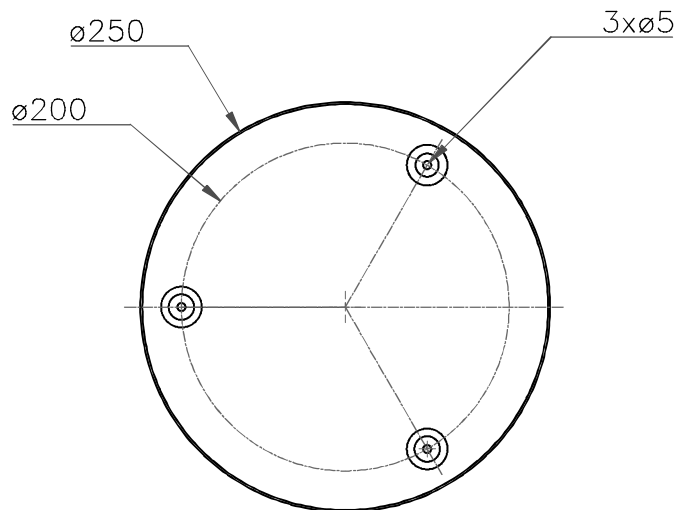
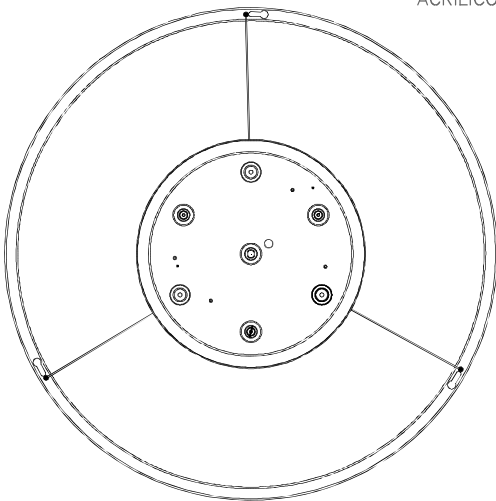
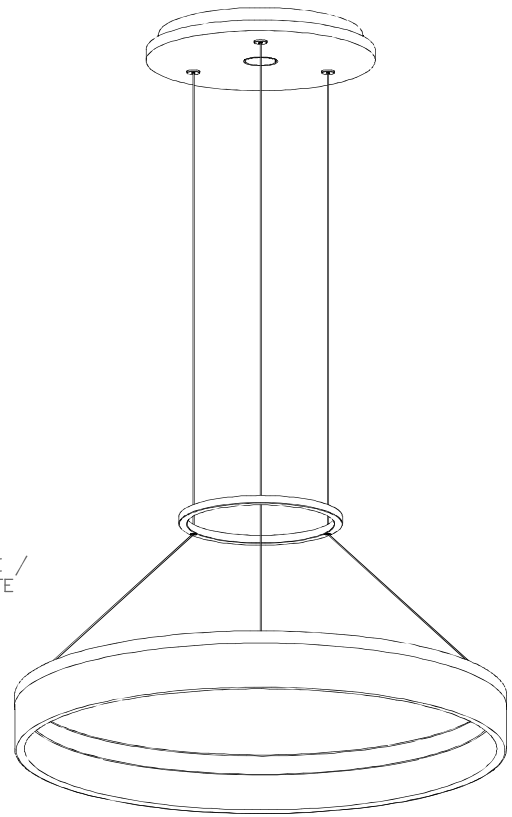
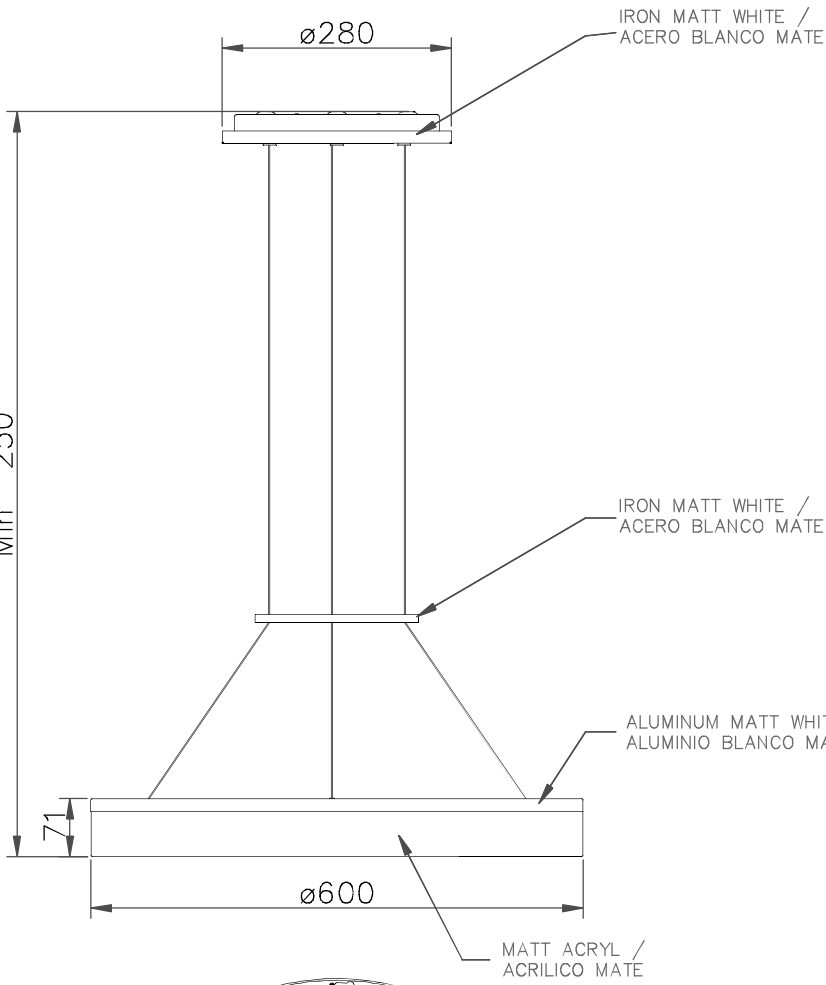
71-2241-00-00

Controller with remote control

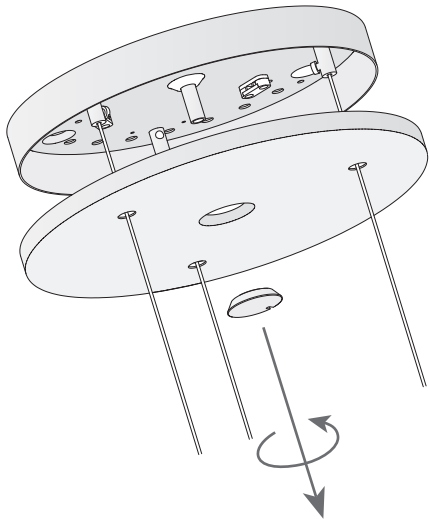


IP20

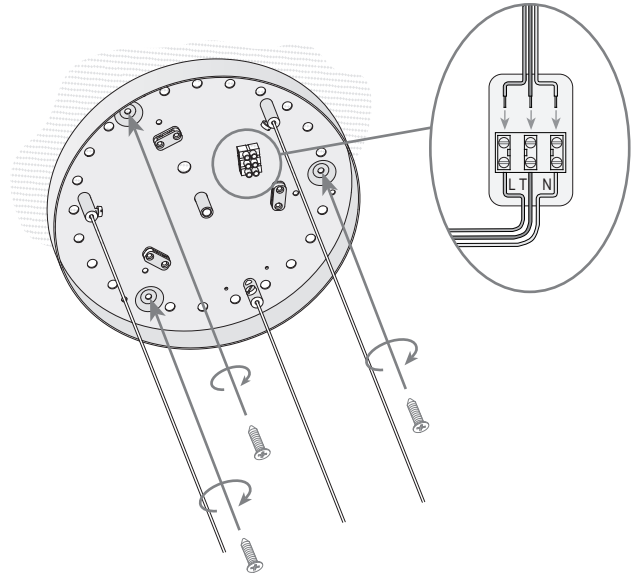
MAX. 2500
Min 250



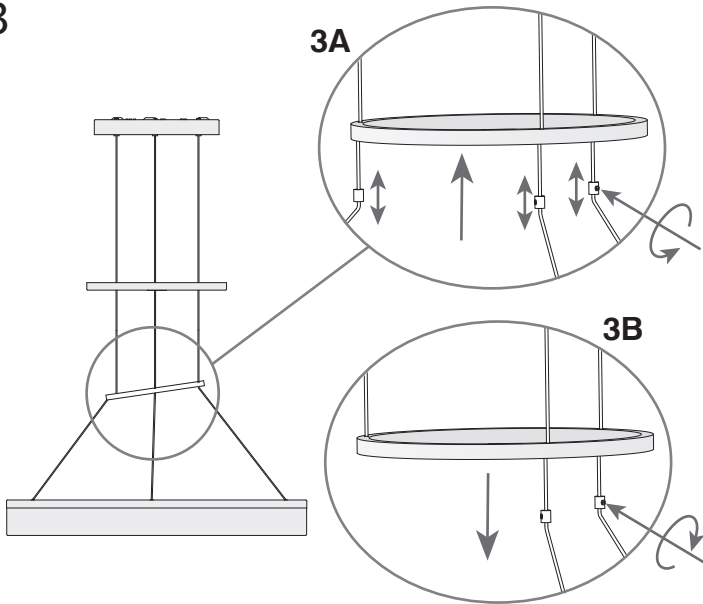
1



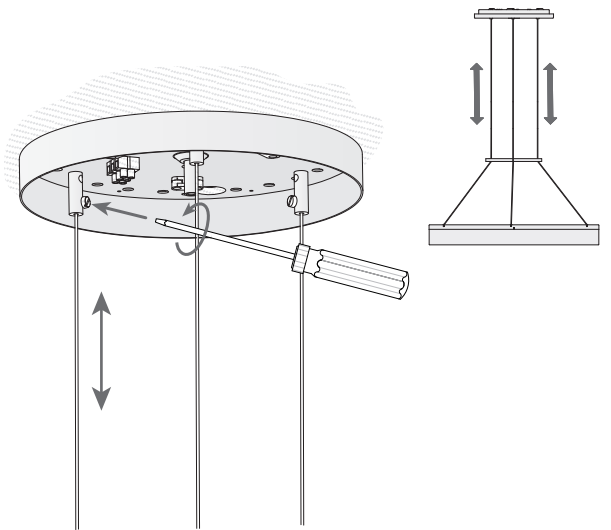
2



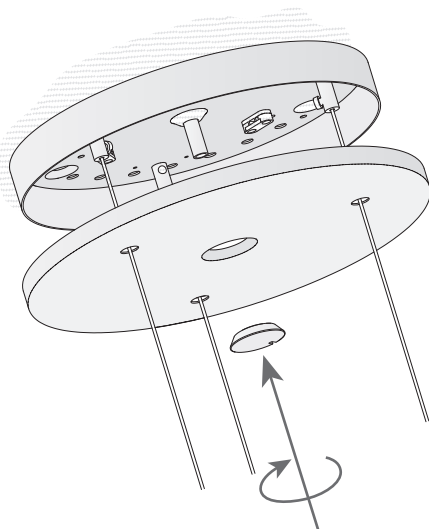
3



4



5



6

